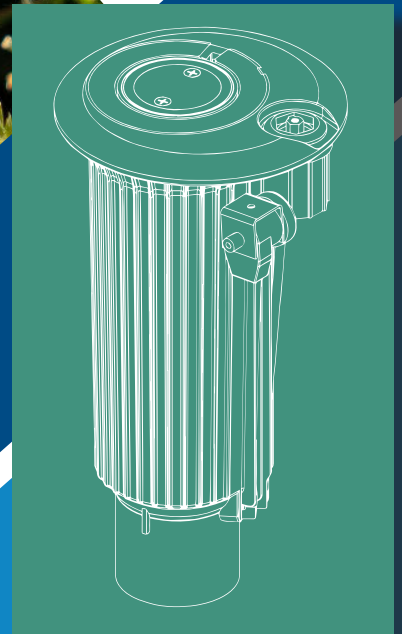


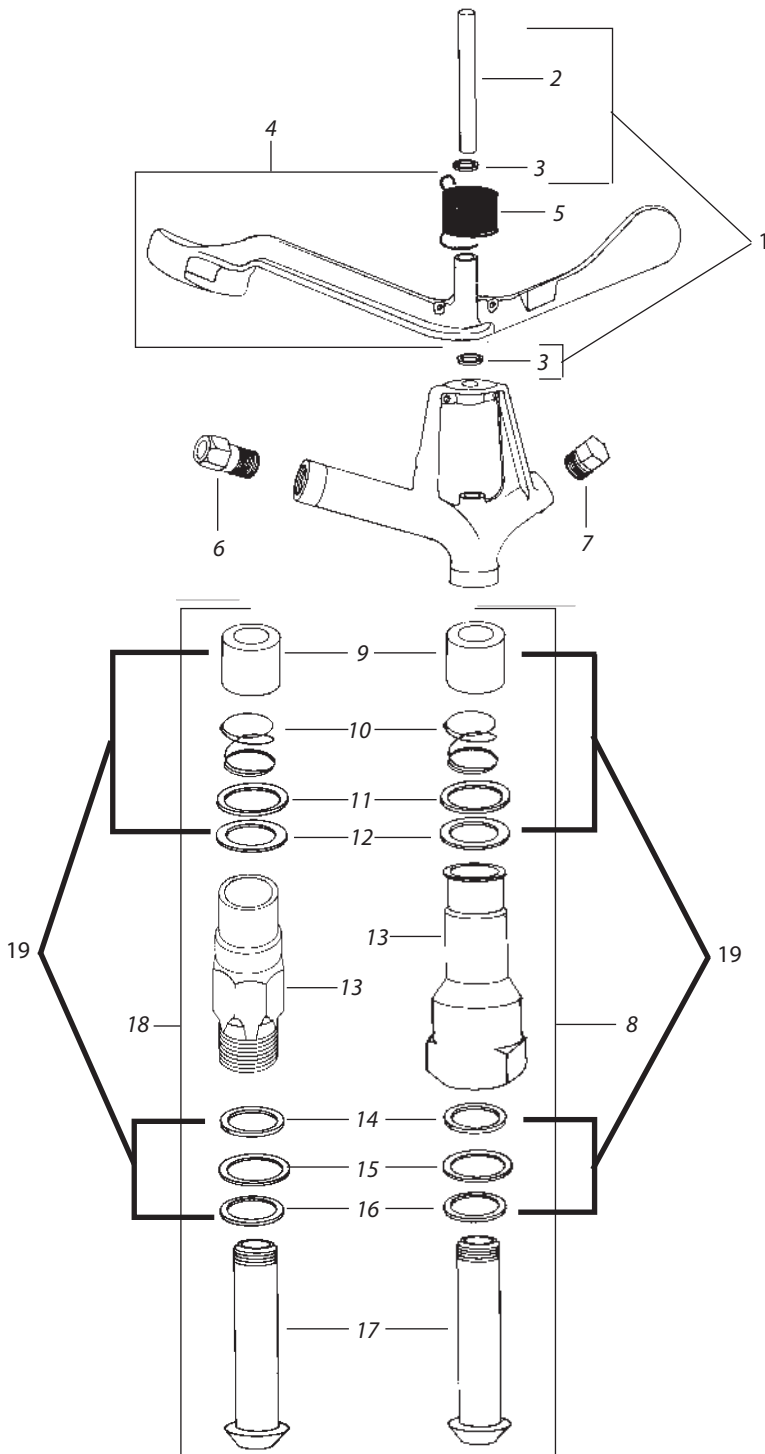
SportsTurf
IRRIGATION
The Original Repair Specialists



Rain Bird® **Parts Breakdown**

Impacts, Rotors, Valves

*Names and products presented in this publication are used for identification purposes only.
Many items listed as kits can be sold individually.*



Ref. Part Description 70CWH

UPPER ASSEMBLY

1	Fulcrum Kit	177420
2	Fulcrum Pin	(100348)
3	Arm Washer (2)	(100163)
4	Arm Spring Assembly	177532
5	Arm Spring	(100369)

NOZZLES (Specify nozzle size when ordering)

6	Straight Bore	100382
7	Plug	100417
-	Bushing (3/8" MNPT x 1/8" FNPT)	100418
-	20 Degree Spreader Nozzle	100226-08
-	Body Vane (Not Shown)	100695

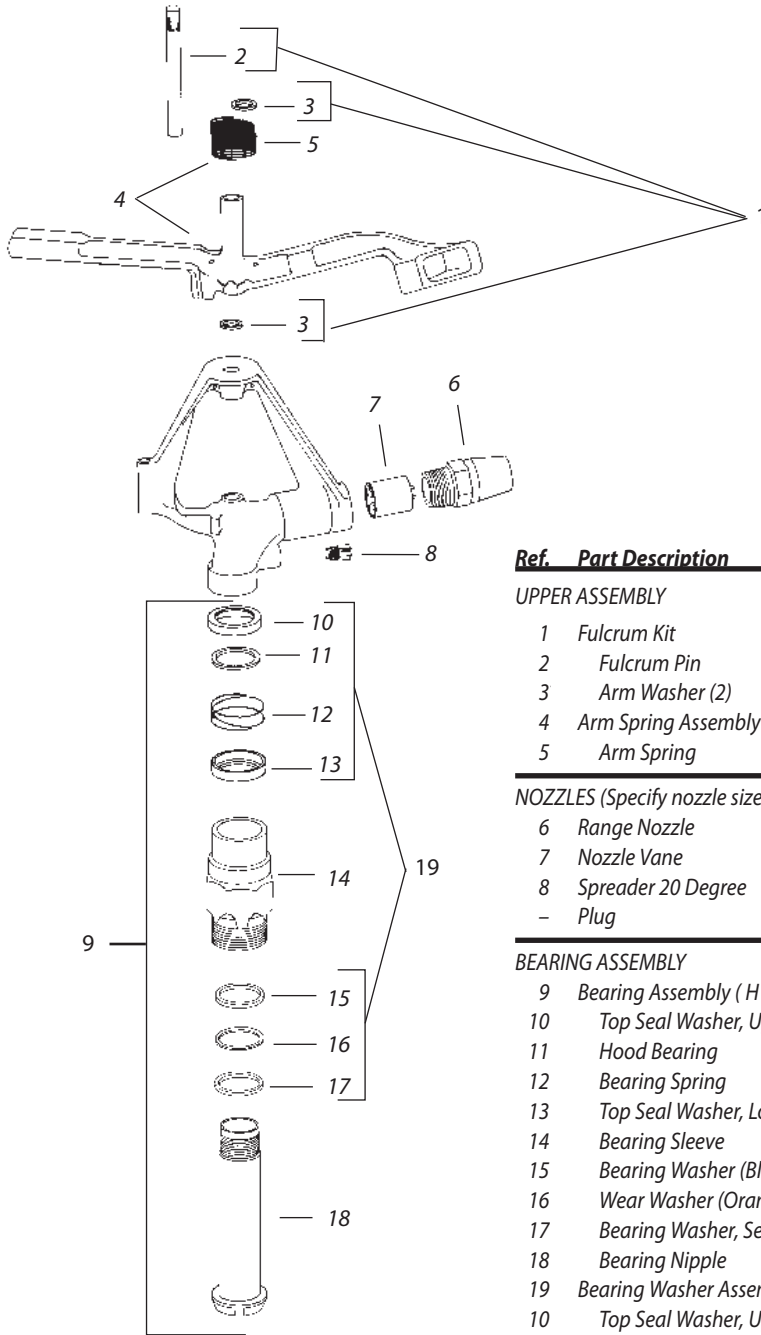
BEARING ASSEMBLY

8	Bearing Assy (Female H Style)(NPT Assy)	177514
9	Bearing Hood	(103119)
10	Bearing Spring	(100620)
11	Metal Top Seal Washer	(100312)
12	Top Seal Washer (White)	(103115)
13	Bearing Sleeve (FNPT)	231071
14	Bearing Washer (Black)	(104038)
15	Wear Washer (Orange)	(104037)
16	Bearing Washer (Black)	(104038)
17	Bearing Nipple	(100390)
19	Bearing Washer Assembly	177426

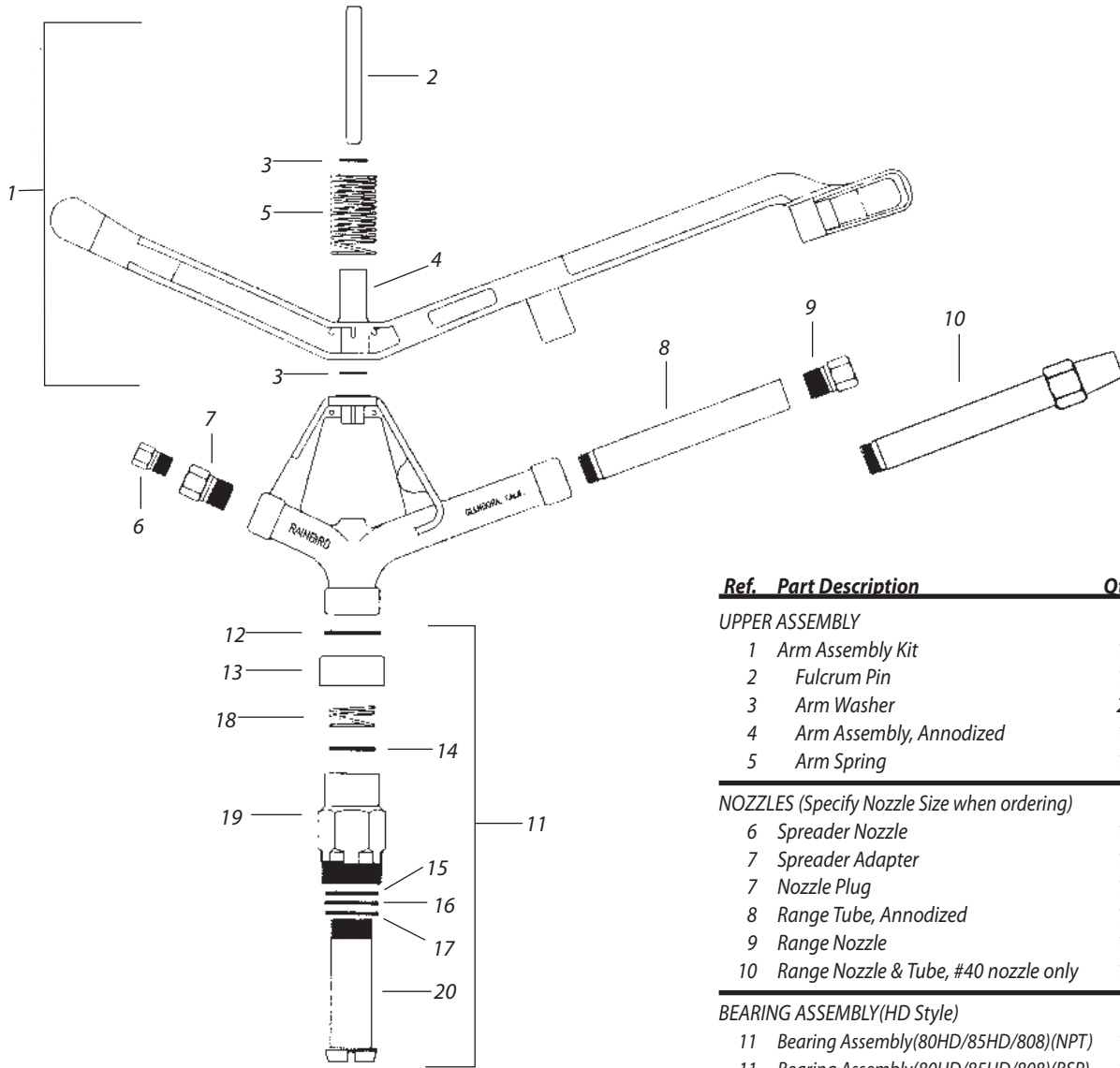
18	Bearing Assy (Male H Style)(NPT Assy)	177512
9	Bearing Hood	(103119)
10	Bearing Spring	(100620)
11	Metal Top Seal Washer	(100312)
12	Top Seal Washer (White)	(103115)
13	Bearing Sleeve (MNPT)	(108725)
14	Bearing Washer (Black)	(104038)
15	Wear Washer (Orange)	(104037)
16	Bearing Washer (Black)	(104038)
17	Bearing Nipple	(100390)
19	Bearing Washer Assembly	177426

8	Bearing Assy (Female BDP Style)	
9	Bearing Hood	103119
10	Bearing Spring	(100620)
11	Metal Top Seal Washer	(100312)
12	Top Seal Washer (Black)	(103115)
13	Bearing Sleeve (FBSP)	231070
14	Bearing Washer (Black)	(104038)
15	Wear Washer (Orange)	(104037)
16	Bearing Washer (Black)	(104038)
17	Bearing Nipple	(100390)
19	Bearing Washer Assembly	177426

Note: Part numbers enclosed in brackets () are not available individually, but may be sold in assemblies or kits.



Ref.	Part Description	80EHD	80EHD-LA	80EHD-BSP
UPPER ASSEMBLY				
1	Fulcrum Kit	177421	177421	177421
2	Fulcrum Pin	(100430)	(100430)	(100430)
3	Arm Washer (2)	(100432)	(100432)	(100432)
4	Arm Spring Assembly	177533	177533	177533
5	Arm Spring	(100431)	(100431)	(100431)
NOZZLES (Specify nozzle size when ordering)				
6	Range Nozzle	103043	103043	103043
7	Nozzle Vane	101275	101275	101275
8	Spreader 20 Degree	100226	-	100226
-	Plug	100255	-	100255
BEARING ASSEMBLY				
9	Bearing Assembly (H Style)	177427	177427	118039
10	Top Seal Washer, Upper (Black)	(113100)	(113100)	(113100)
11	Hood Bearing	(113098)	(113098)	(113098)
12	Bearing Spring	(100449)	(100449)	(100449)
13	Top Seal Washer, Lower (Black)	(113309)	(113309)	(113309)
14	Bearing Sleeve	177515	177515	177467
15	Bearing Washer (Black)	(113099)	(113099)	(113099)
16	Wear Washer (Orange)	(104639)	(104639)	(104639)
17	Bearing Washer, Seal (Black)	(104638)	(104638)	(104638)
18	Bearing Nipple	177506	177506	177506
19	Bearing Washer Assembly	177437	177437	177437
10	Top Seal Washer, Upper (Black)	(113100)	(113100)	(113100)
11	Hood Bearing	(113098)	(113098)	(113098)
12	Bearing Spring	(100449)	(100449)	(100449)
13	Top Seal Washer, Lower (Black)	(113309)	(113309)	(113309)
15	Bearing Washer (Black)	(113099)	(113099)	(113099)
16	Wear Washer (Orange)	(104639)	(104639)	(104639)
17	Bearing Washer, Seal (Black)	(104638)	(104638)	(104638)

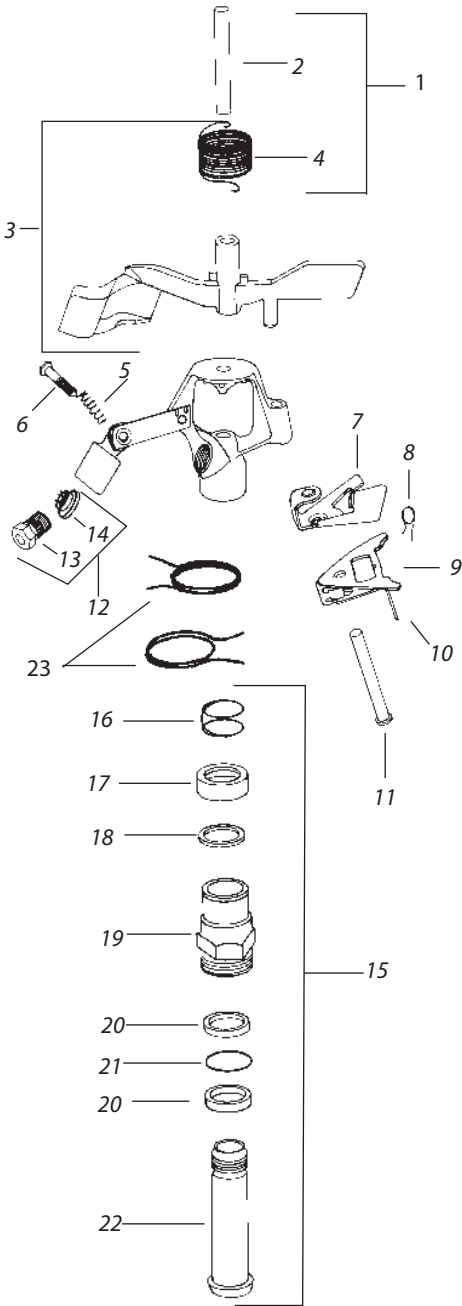


Note: All parts on the 808A are compatible with the previous 808S-TNT and 808W-TNT models. The Bearing Assembly has been upgraded to the Heavy Duty bearing (HD Style). The Bearing Washer kit listed is fully compatible with the HD Bearing Assembly and can be used to replace the bottom three washers of the TNT Bearing Assembly.

Ref.	Part Description	Qty.	Part Number
UPPER ASSEMBLY			
1	Arm Assembly Kit	1	(211843)
2	Fulcrum Pin	1	-
3	Arm Washer	2	-
4	Arm Assembly, Anodized	1	-
5	Arm Spring	1	-
NOZZLES (Specify Nozzle Size when ordering)			
6	Spreader Nozzle	1	(A) 100226-xx
7	Spreader Adapter	1	(211777)
7	Nozzle Plug	1	(211774)
8	Range Tube, Anodized	1	(211822)
9	Range Nozzle	1	(B) (211775-xx)
10	Range Nozzle & Tube, #40 nozzle only	1	(212239)
BEARING ASSEMBLY(HD Style)			
11	Bearing Assembly(80HD/85HD/808)(NPT)	1	(117376)
11	Bearing Assembly(80HD/85HD/808)(BSP)	1	(105441)
-	80HD/85HD/808 Bearing Washer Kit	1	113879
12	Bearing Seal Washer (Gray)	1	-
13	Bearing Hood (Black)	1	-
14	Wear Top Washer (Black)	1	-
15	Bearing Washer (Black)	1	-
16	Wear Washer (Orange)	1	-
17	Wear Seal Washer (White)	1	-
18	Bearing Spring	1	-
19	Bearing Sleeve	1	-
20	Bearing Nipple	1	-
TOOLS			
-	Universal Bearing Wrench (Not Shown)	1	(C) A90919

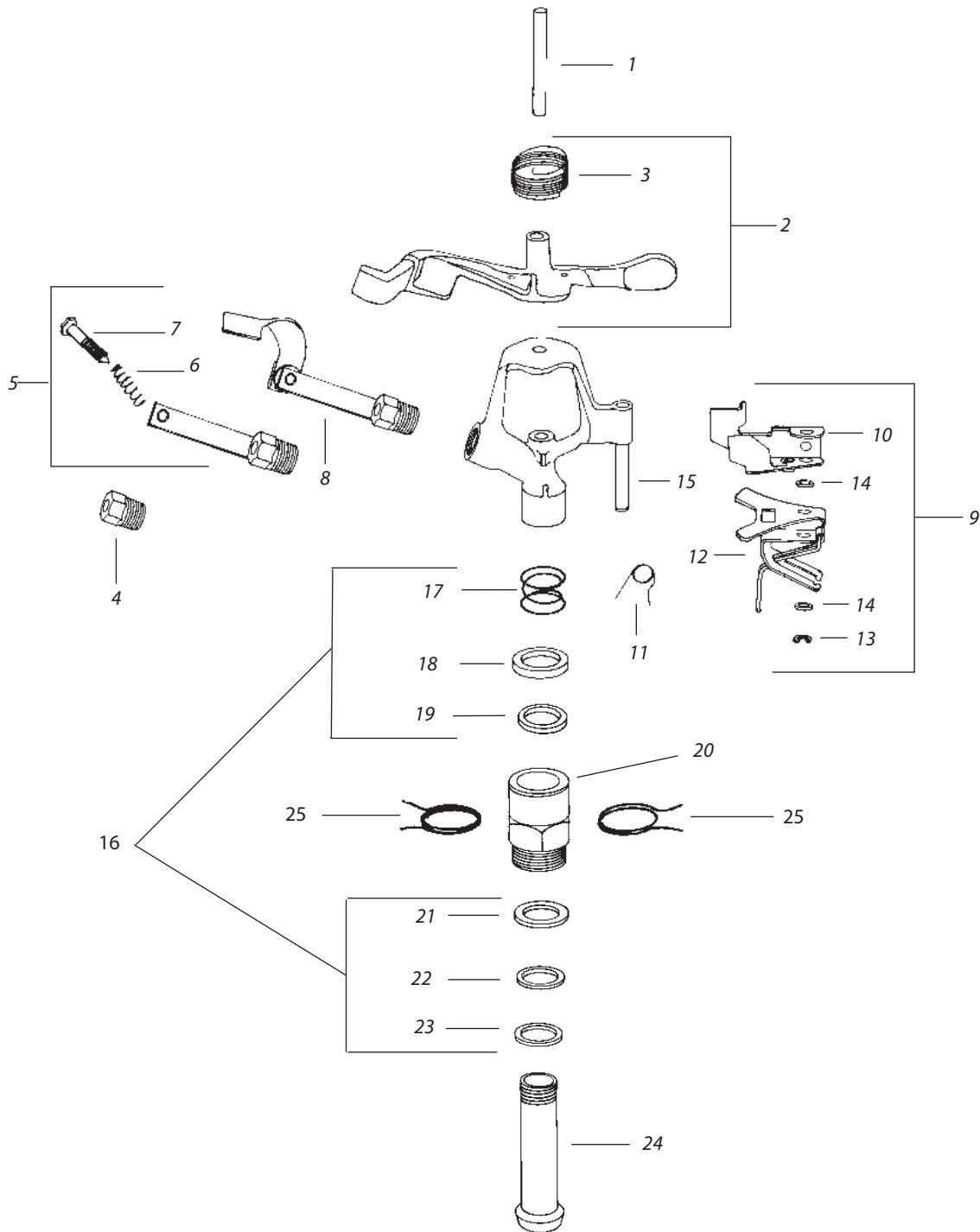
- (A) (Specify Nozzle Size when ordering)
Available Spreader Nozzles: 8,10,12, 14. Use #8 for #26 range,#10 for #28 & #30 range,#12 for #32,#34, $ range, and #14 for#40.
- (B) Specify Nozzle Size when ordering.
Available Range Nozzles: 26, 28, 30, 32, 34, 36
- (C) Required for maintaining or replacing the Bearing Assembly

25B SERIES



Ref.	Part Description	25BPI-FP	
		25BPI-FP-ADJ	ADJ-DA-TNT
UPPER ASSEMBLY			
1	Fulcrum Kit	177461	177461
2	Fulcrum Pin	(100793)	(100793)
3	PJ Arm Spring Assembly	177507	177507
4	Arm Spring (for PJ)	(104933)	(104933)
5	Adjustment Spring	100136	100136
6	Adjustment Pin	100203	100203
TRIP MECHANISM			
7	Upper Trip	108994	108994
8	Trip Spring	(105720)	(105720)
9	Lower Trip Assembly (FP)	110124	110124
10	Trip Lever	109484	109484
11	Trip Shaft	(104734)	(104734)
NOZZLES (Specify nozzle size when ordering)			
12	Nozzle & Vane Assembly	106160	106160
13	Nozzle	105780	105780
14	Vane	101618	101618
BEARING ASSEMBLY			
15	Bearing Assembly	106181	110950
16	Bearing Spring	-	(100182)
17	Skirted Top Seal (Black)	-	(100180)
18	PTFE Top Seal (White)	-	(100181)
19	Bearing Sleeve	106183	(106852)
20	Bearing Washer (Black)	(104181)	(104181)
21	Wear Washer (White)	(104184)	(104696)
22	Bearing Nipple	(104982)	(100178)
23	Friction Collar, STD (A)	104906	104906

(A) STD friction collars 104906 include Quantity 1 per kit.

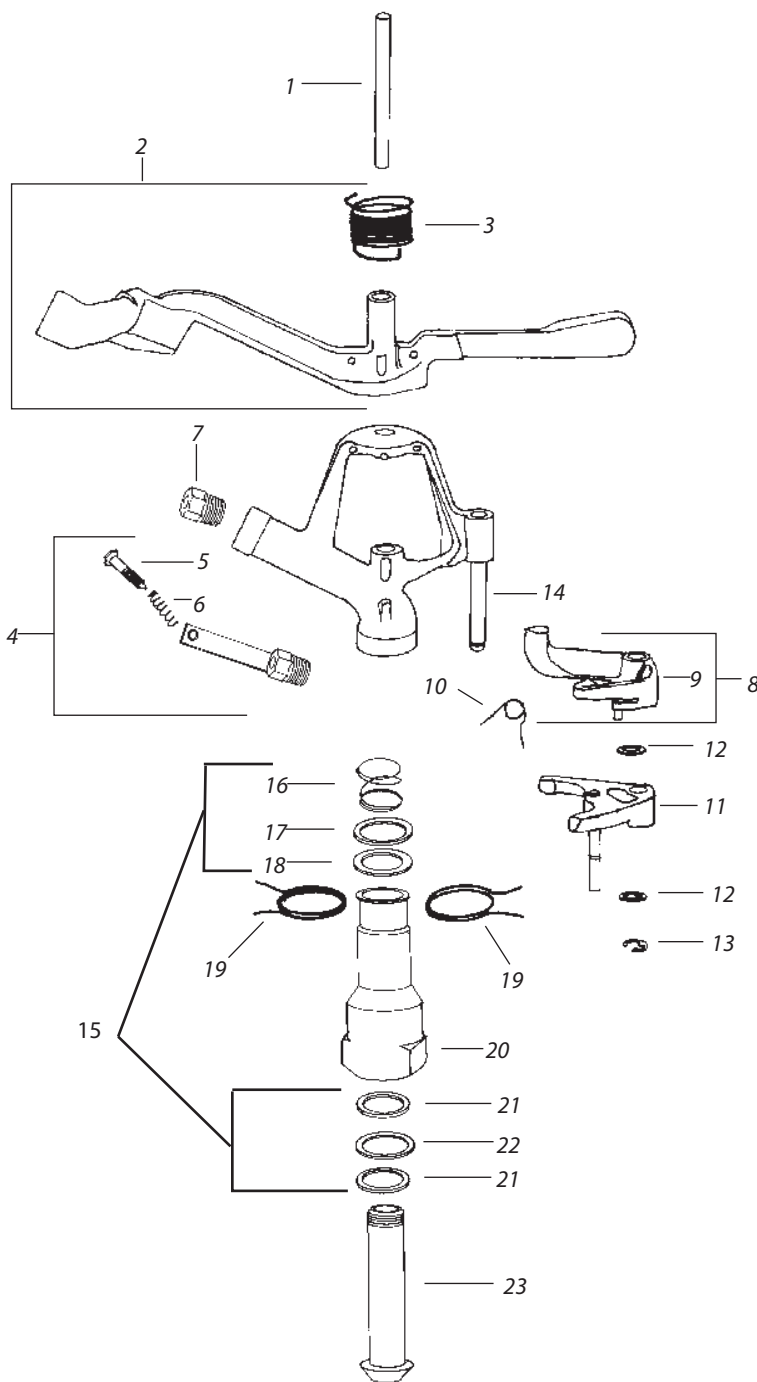


35A SERIES

Ref.	Part Description	35A-TNT	35A-ADJ-TNT	35A-PJDA-TNT	35A-PJADJ-TNT	35-A-PJ-TNT
UPPER ASSEMBLY						
1	Fulcrum Pin	177462	177462	177462	177462	177462
2	Arm Spring Assy, (PJ Pictured)	—	—	177469	177469	177469
3	Arm Spring	—	—	(100305)	(100305)	(100305)
2	Arm Spring Assy, STD	177468	177468	—	—	—
3	Arm Spring	(100305)	(100305)	—	—	—
NOZZLES (Specify nozzle size when ordering.)						
4	Standard Range Nozzle	105842	—	—	—	—
4	Keyhole Nozzle	106353	—	—	—	—
5	ADJ Nozzle Assembly	—	100328	—	100328	100328
6	Spring	—	100136	—	100136	100136
7	Pin—	—	100203	—	100203	100203
8	DA Nozzle	—	—	100332	—	—
TRIP MECHANISM						
9	Upper & Lower Trip Kit	114653	114653	114653	114653	114653
—	Trip Assembly, Upper with Trip Spring	(113869)	(113869)	(113869)	(113869)	(113869)
10	Upper Trip	(110192)	(110192)	(110192)	(110192)	(110192)
11	Trip Spring	100158	100158	100158	100158	100158
12	Trip Assembly, Lower	114318	114318	114318	114318	114318
13	E-Ring	100149	100149	100149	100149	100149
14	Spacer Washers (2)	100164	100164	100164	100164	100164
15	Trip Shaft	100320	100320	100320	100320	100320
BEARING ASSEMBLY						
16	Bearing Washer Assembly (New TNT Style)	177473	177473	177473	177473	177473
17	Bearing Spring	(240013)	(240013)	(240013)	(240013)	(240013)
18	Skirted Top Seal Washer (Black)	(240016)	(240016)	(240016)	(240016)	(240016)
19	Top Seal Washer (PTFE) (White)	(104762)	(104762)	(104762)	(104762)	(104762)
20	Bearing Sleeve	(A) 177466	(A) 177466	(A) 177466	(A) 177466	(A) 177466
21	Bearing Washer (Black)	(100726)	(100726)	(100726)	(100726)	(100726)
22	Wear Washer (Orange)	(103058)	(103058)	(103058)	(103058)	(103058)
23	Bearing Washer, Seal (Gray)	(102345)	(102345)	(102345)	(102345)	(102345)
24	Bearing Nipple	177504	177504	177504	177504	177504
25	Friction Collar, Wire	(B) 105773	(B) 105773	(B) 105773	(B) 105773	(B) 105773

(A) Bearing Sleeve Includes (2) Friction Trip Collars 105773

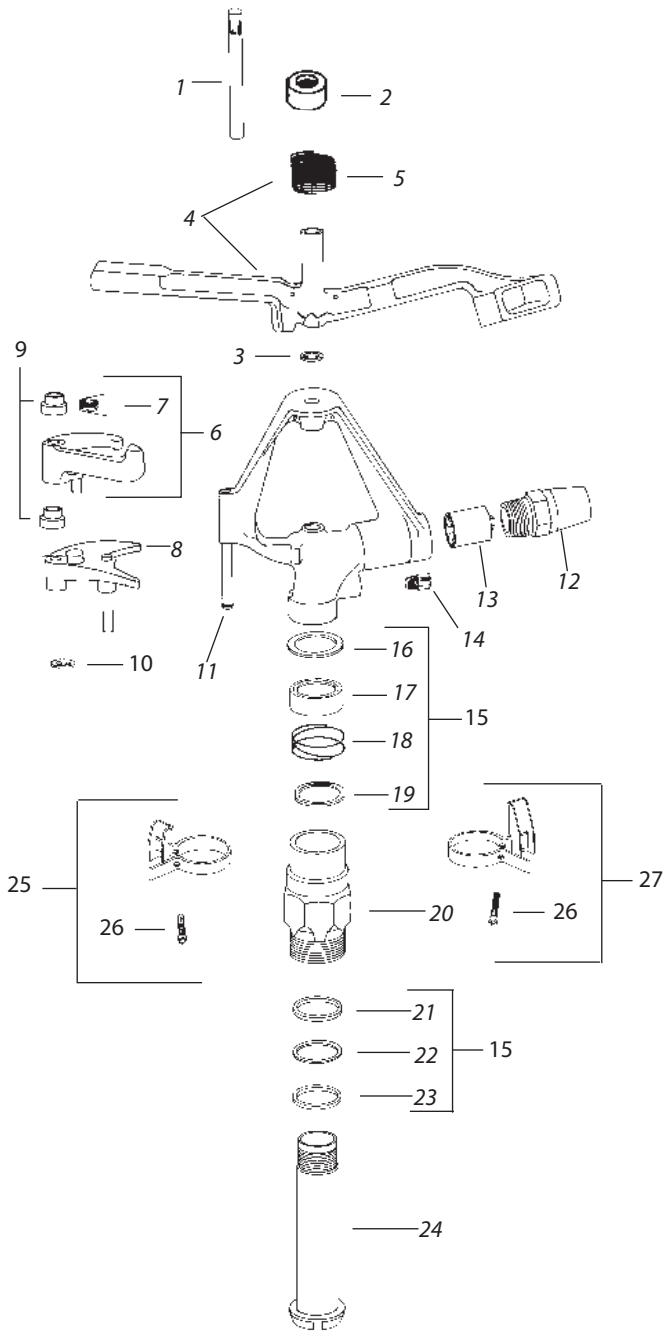
(B) Friction Collars 105773 include Quantity 1 per kit



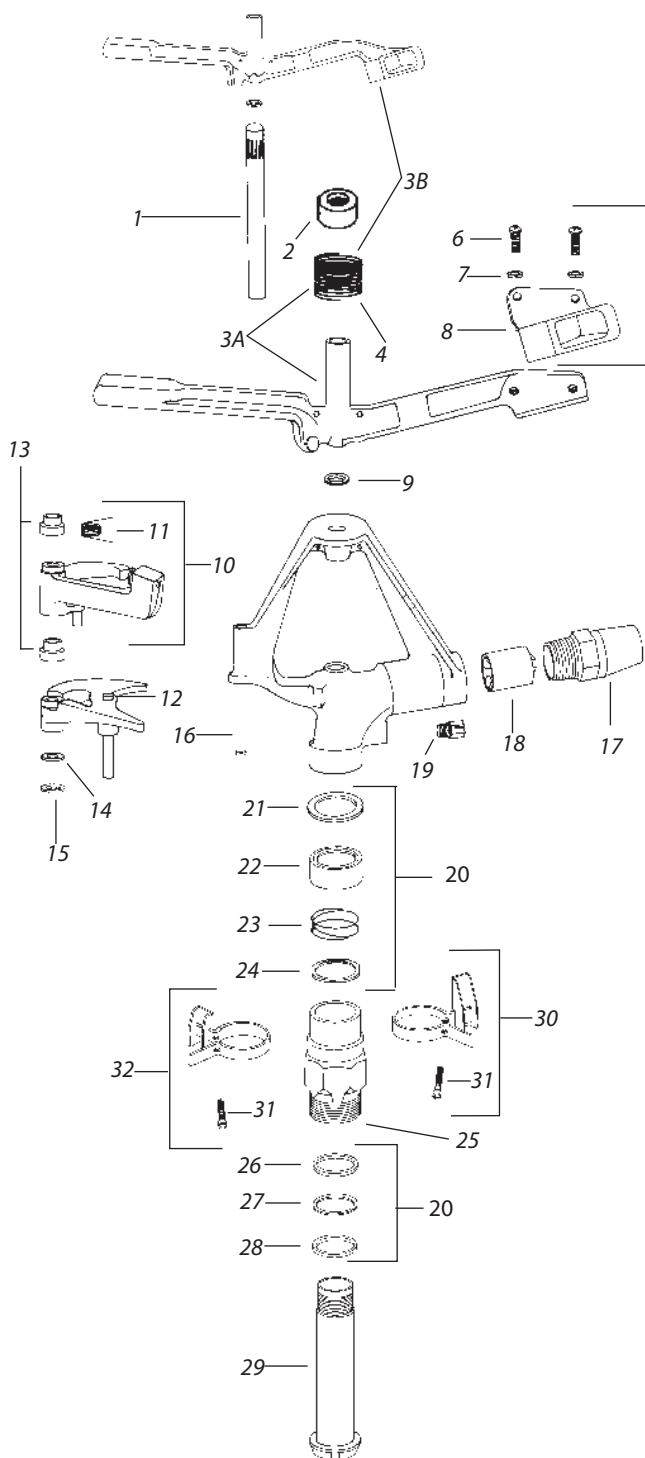
Ref.	Part Description	65PJ-TNT 65PJADJ-TNT
UPPER ASSEMBLY		
1	Fulcrum Pin	100348
2	Arm Spring Assembly PJ	(A) 102570
3	Arm Spring	(100369)
NOZZLES (Specify nozzle size when ordering)		
4	ADJ Nozzle Assembly	100385
5	Pin	(100203)
6	Spring	(100136)
7	Range Nozzle	100382
TRIP MECHANISM		
8	Trip Assembly, Upper	100370
9	Upper Trip	(100371)
10	Trip Spring	(100372)
11	Trip Assembly, Lower	100373
12	Spacer Washer (2)	(100376)
13	E-Ring	(100377)
14	Trip Shaft	100365
BEARING ASSEMBLY		
15	Bearing Washer Assembly	177475
16	Bearing Spring	(231064)
17	Metal Top Seal Washer	(231063)
18	Top Seal Washer (White)	(100313)
19	Friction (Trip) Collar	(B) 105774
20	Bearing Sleeve (FNPT)	177500
20	Bearing Sleeve (BSP)	177499
21	Bearing Washer (2) (Black)	(104038)
22	Wear Washer (Orange)	(104037)
23	Bearing Nipple	177518

(A) 65D arm is no longer available, use current PJ arm.
 (B) Friction Trip Collars available individually or with sleeve.
 Kit 105774 includes Quantity of 1

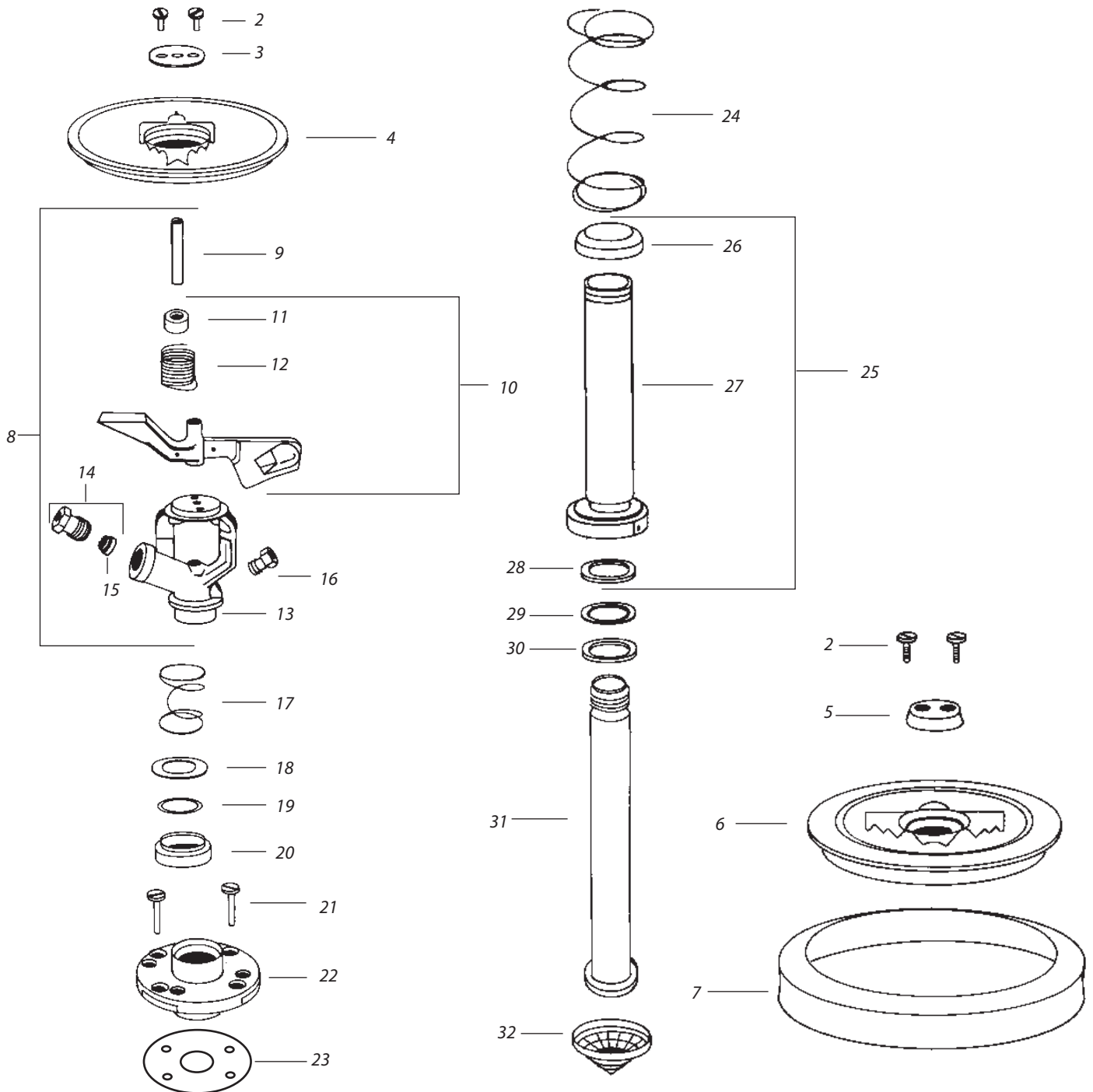
85EHD SERIES



Ref.	Part Description	85EHD	85EHD-BSP
UPPER ASSEMBLY			
1	Fulcrum Pin	100430	100430
2	Arm Hood	108556	108556
3	Arm Washer (2)	100432	100432
4	Arm Spring Assembly	177470	177470
5	Arm Spring	(100431)	(100431)
TRIP MECHANISM			
6	Trip Assembly, Upper	111130	111130
7	Trip Spring	(112858)	(112858)
8	Trip Assembly, Lower	111129	111129
9	Trip Hood (2)	111812	111812
10	E-Ring	(100377)	(100377)
11	Trip Shaft	(108321)	(108321)
NOZZLES (Specify nozzle size when ordering)			
12	Range Nozzle	103043	103043
13	Body Vane	101275	101275
12	Low Pressure Nozzle	108149	108149
14	20 Deg. Spreader Nozzle	100226-14	—
—	Nozzle Plug	100255	—
15	Bearing Washer Assembly	177474	177474
16	Seal Washer, Upper	(104638)	(104638)
17	Bearing Hood	(113098)	(113098)
18	Bearing Spring	(100449)	(100449)
19	Wear Washer, Top (Black)	(113309)	(113309)
20	Bearing Sleeve	177515	177467
21	Bearing Washer (Black)	(113099)	(113099)
22	Wear Washer (Orange)	(104639)	(104639)
23	Bearing Washer, Seal	(113100)	(113100)
24	Bearing Nipple	(177506)	(177506)
25	Friction Collars (Top)	107959-01	107959-01
26	Screw	(111126)	(111126)
27	Friction Collars (Bottom)	107960-01	107960-01
26	Screw	(111126)	(111126)

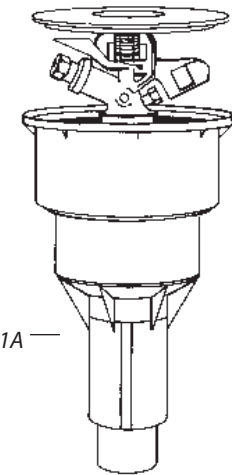
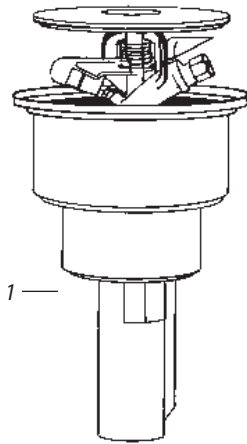


Ref.	Part Description	85EHD-LA	85EHD-LA-BSP
UPPER ASSEMBLY			
1	Fulcrum Pin	100430	100430
2	Arm Hood	108556	108556
3A	Arm Spring Assy HD (With Spoon)	177471	177471
4	Arm Spring	(100431)	(100431)
5	Detachable Spoon Kit HD	113878	113878
6	Screw (2)	(111204-02)	(111204-02)
7	Washer (2)	(111809)	(111809)
8	Spoon	(111804)	(111804)
TRIP MECHANISM			
10	Trip Assembly, Upper	111130	111130
11	Trip Spring	(112858)	(112858)
12	Trip Assembly, Lower	111129	111129
13	Trip Hood (2)	111812	111812
14	Spacer Washer	100376	100376
15	E-Ring	100377	100377
16	Trip Shaft	(108321)	(108321)
NOZZLES (Specify nozzle size when ordering)			
17	Range Nozzle	103043	103043
18	Body Vane	101275	101275
18	Low Pressure Nozzle	108149	108149
19	Spreader Nozzle, 20Deg. (85ES)	—	—
BEARING ASSEMBLY			
20	Bearing Washer Assembly	177474	177474
21	Seal Washer	(104638)	(104638)
22	Bearing Hood (Black)	(113098)	(113098)
23	Bearing Spring	(100449)	(100449)
24	Wear Washer, Top (Black)	(113309)	(113309)
25	Bearing Sleeve	177515	177467
26	Bearing Washer (Black)	(113099)	(113099)
27	Wear Washer (Orange)	(104639)	(104639)
28	Bearing Washer, Seal (Gray)	(113100)	(113100)
29	Bearing Nipple	(177506)	(177506)
30	Friction Collars (Top)	107959-01	107959-01
31	Screw	(111126)	(111126)
32	Friction Collars (Bottom)	107960-01	107960-01
31	Screw	(111126)	(111126)



21A / 31A / 41-51A SERIES
21AP / 31AP / 41-51AP SERIES

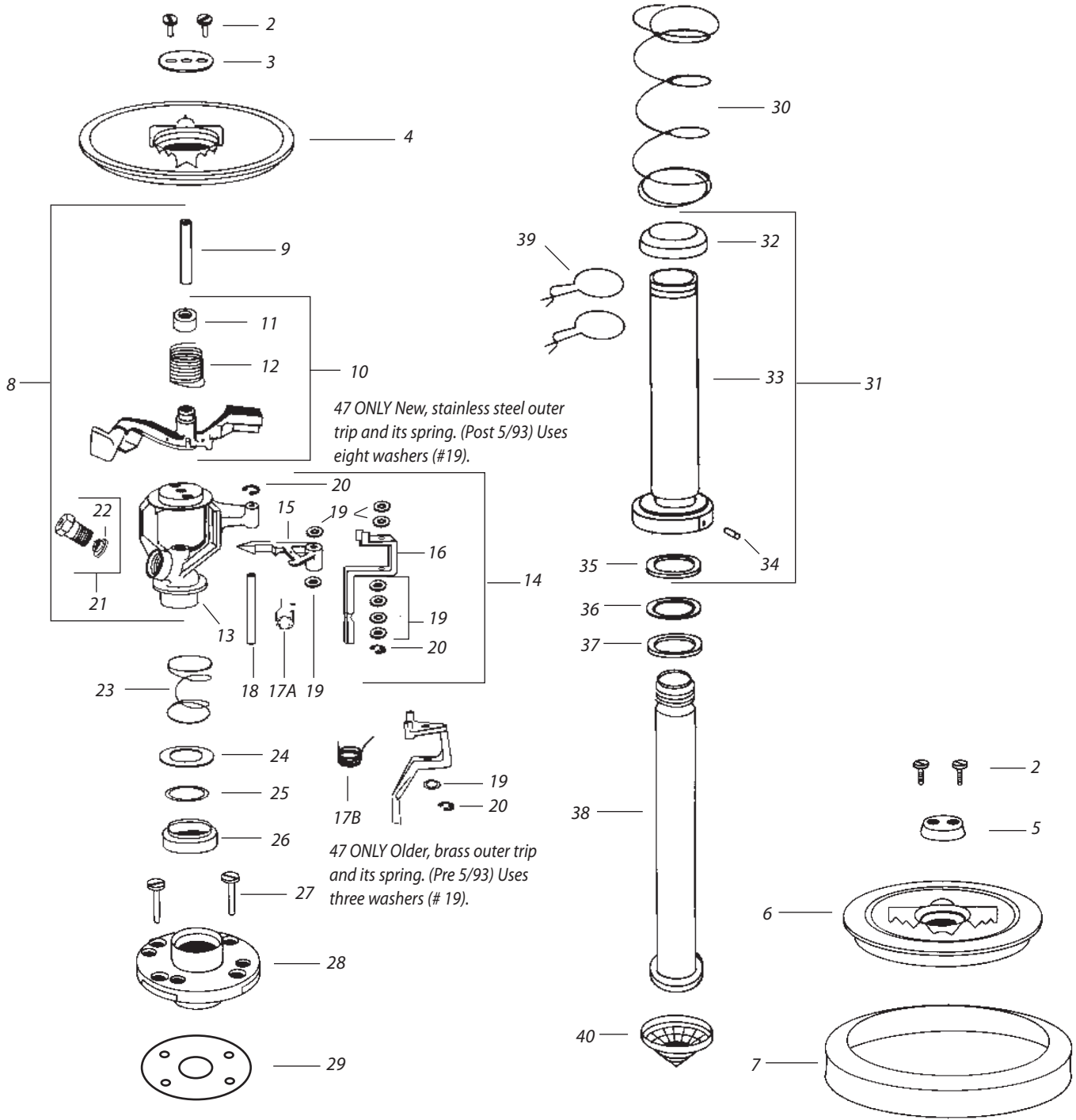
Ref.	Part Description	21A 21A-RC	31A 31A-RC	41-51A 41-51A-RC	21AP 21AP-RC	31AP 31AP-RC	41-51AP 41-51AP-RC
CASES							
1	Iron Case (NPT)	208512	208512	208512	—	—	—
1	Iron Case (BSP)	(202161)	(202161)	(202161)	—	—	—
1A	Plastic Case (NPT)	—	—	—	203789-01	203789-01	203789-01
1A	Plastic Case (BSP)	—	—	—	203789-02	203789-02	203789-02
COVER ASSEMBLIES							
2	Cover Screws, Standard	200974	200974	200974	200974	200974	200974
3	Retainer, Steel	200740	200740	200740	200740	200740	200740
4	Aluminum Cover	200415	200415	200415	(C) (201925)	(C) (201925)	(C) (201925)
4	Plastic Cover	—	—	—	208227	208227	208227
5	Retainer, Rubber	200741	200741	200741	200741	200741	200741
6	Rubber Cover	200500	200500	200500	200500	200500	200500
7	Rubber Case Ring	200053	200053	200053	200053	200053	200053
—	Cover Screws, (Vandal Resistant)	200829	200829	200829	200829	200829	200829
INTERNAL ASSEMBLY (#8 – #32)		200121-10	200125-14	200133-14-11	200121-10	200125-14	200133-14-11
UPPER ASSEMBLY							
8	Arm/Body Assembly	200118-10	200124-14	200132-14-11	200118-10	200124-14	200132-14-11
9	Fulcrum Pin	200025	200025	200076	200025	200025	200076
10	Arm Spring Assembly	(203723)	(203727)	(203728)	(203723)	(203727)	(203728)
11	Arm Hood	200924	200924	200924	200924	200924	200924
12	Arm Spring	200027	200089	202384	200027	200089	202384
13	Body	(200026)	(200026)	(200101)	(200026)	(200026)	(200101)
NOZZLES (Specify nozzle size when ordering.)							
—	ADJ Nozzle Assembly	201559	201559	—	201559	201559	—
—	Spring	100136	100136	—	100136	100136	—
—	Adjustment Pin	100203	100203	—	100203	100203	—
14	Plastic Range Nozzle	—	—	211203	—	—	211203
14	Brass Range Nozzle Assembly	—	—	(200778)	—	—	(200778)
15	Vane	—	—	(201230)	—	—	(201230)
16	Special Drive Nozzle	—	—	201108	—	—	201108
BEARING ASSEMBLY							
17	Bearing Spring	(A)(200029)	(A)(200029)	(A)(200029)	(A)(200029)	(A)(200029)	(A)(200029)
18	Steel Top Seal Washer	(A)(200030)	(A)(200030)	(A)(200030)	(A)(200030)	(A)(200030)	(A)(200030)
19	PTFE Top Seal Wshr (Wht)	(B)(200031)	(B)(200031)	(B)(200031)	(B)(200031)	(B)(200031)	(B)(200031)
20	Buna-N Guide Seal (Blk)	(A)(200042)	(A)(200042)	(A)(200042)	(A)(200042)	(A)(200042)	(A)(200042)
21	Guide Screws	200967	200967	200967	(206453)	(206453)	(206453)
22	Bearing Guide	202166	202166	202166	202166	202166	202166
23	Bearing Guide Gasket	200044	200044	200044	206261	206261	206261
24	Retract Spring	201113	201113	201113	201113	201113	201113
25	Bearing Sleeve Assembly	202068	202068	202068	202068	202068	202068
26	Buna-N Lower Seal (Blk)	(B)(200036)	(B)(200036)	(B)(200036)	(B)(200036)	(B)(200036)	(B)(200036)
27	Bearing Sleeve	(202049)	(202049)	(202049)	(202049)	(202049)	(202049)
28	Wear Ring (Gold)	(B)(201608)	(B)(201608)	(B)(201608)	(B)(201608)	(B)(201608)	(B)(201608)
29	PTFE Speed Washer (White)	(B)(202169)	(B)(202169)	(B)(202169)	(B)(202169)	(B)(202169)	(B)(202169)
30	Buna-N Washer Seal (Gray)	(B)(201562)	(B)(201562)	(B)(201562)	(B)(201562)	(B)(201562)	(B)(201562)
31	Bearing Nipple	200037	200037	200037	200037	200037	200037
32	Inlet Screen	200006	200006	200006	200006	200006	200006



(A) Included in Upper Bearing Washer Kit # 203731.

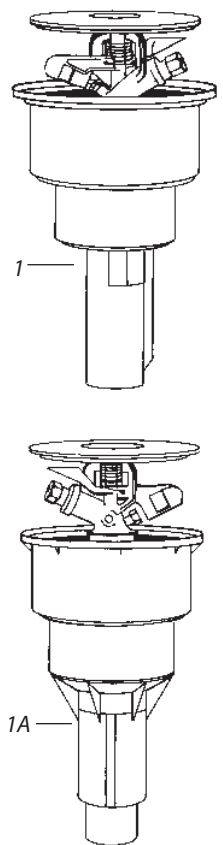
(B) Included in Bearing Washer Kit # 203732.

(C) Available through Rain Bird Service Center 626-812-5710 FAX 626-812-5716

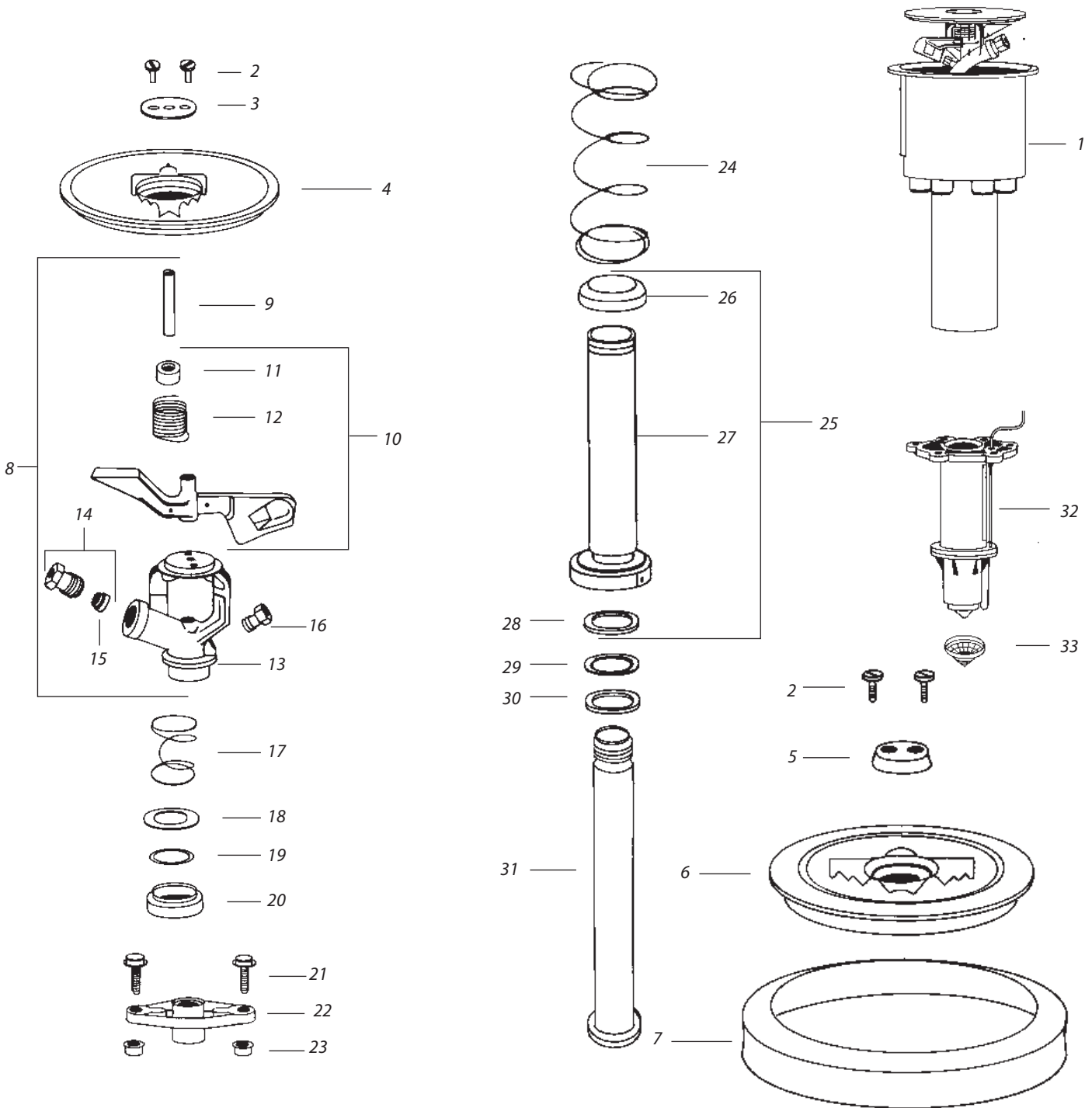


21A / 37A / 47A SERIES
27AP / 37AP / 47AP SERIES

Ref.	Part Description	27A 27ARC	37A 37ARC	47A 47ARC	27AP 27APRC	37AP 37APRC	47AP 47APRC
CASES							
1	Iron Case (NPT)	208512	208512	208512	—	—	—
1	Iron Case (BSP)	(202161)	(202161)	(202161)	—	—	—
1A	Plastic Case (NPT)	—	—	—	203789-01	203789-01	203789-01
1A	Plastic Case (BSP)	—	—	—	203789-02	203789-02	203789-02
COVER ASSEMBLIES							
2	Cover Screws, Standard	200974	200974	200974	200974	200974	200974
3	Retainer, Steel	200740	200740	200740	200740	200740	200740
4	Aluminum Cover	200415	200415	200415	(D) (201925)	(D) (201925)	(D) (201925)
4	Plastic Cover	—	—	—	208227	208227	208227
5	Retainer, Rubber	200741	200741	200741	200741	200741	200741
6	Rubber Cover	200500	200500	200500	200500	200500	200500
7	Rubber Case Ring	200053	200053	200053	200053	200053	200053
—	Cover Screws, Vandal Resistant	200829	200829	200829	200829	200829	200829
INTERNAL ASSEMBLY (#8 – #40)		202061-10	200127-14	200131-16	202061-10	200127-14	200131-16
UPPER ASSEMBLY							
8	Arm/Body Assembly	202062-10	200126-14	200130-16	202062-10	200126-14	200130-16
9	Fulcrum Pin	200025	200025	200076	200025	200025	200076
10	Arm Spring Assembly	(203723)	(203724)	(203725)	(203723)	(203724)	(203725)
11	Arm Hood	200924	200924	200924	200924	200924	200924
12	Arm Spring	200027	200089	200089	200027	200089	200089
13	Body	(200055)	(200055)	(200092)	(200055)	(200055)	(200092)
TRIP MECHANISM (Included in Arm/Body Assembly)							
14	Trip Assembly	(203718)	(203718)	(203719)	(203718)	(203718)	(203719)
15	Inner Trip	200060	200060	200060	200060	200060	200060
16	Outer Trip	(200059)	(200059)	(210251)	(200059)	(200059)	(210251)
17A	Trip Spring	(207900)	(207900)	209363	(207900)	(207900)	209363
17B	Trip Spring (For Brass Outer Trip)	—	—	(207900)	—	—	(207900)
18	Trip Shaft	200061	200061	201932	200061	200061	201932
19	Spacer Washers (2-27,37)(8-47)	201933	201933	201933	201933	201933	201933
20	E-Ring (1)	—	—	200975	—	—	200975
NOZZLES (A) (Included in Arm/Body Assembly) (Specify nozzle size when ordering.)							
—	ADJ Nozzle Assembly	201559	201559	—	201559	201559	—
—	Spring	100136	100136	—	100136	100136	—
—	Adjustment Pin	100203	100203	—	100203	100203	—
21	Range Nozzle Assembly	—	—	200079	—	—	200079
22	Vane	—	—	202143	—	—	202143
BEARING ASSEMBLY							
23	Bearing Spring	(B) (200029)	(B) (200029)	(B) (200029)	(B) (200029)	(B) (200029)	(B) (200029)
24	Steel Top Seal Washer	(B) (200030)	(B) (200030)	(B) (200030)	(B) (200030)	(B) (200030)	(B) (200030)
(B)	Included in Bearing Spring Washer Kit # 203731.						
25	PTFE Top Seal Washer (White)	(C) (200031)	(C) (200031)	(C) (200031)	(C) (200031)	(C) (200031)	(C) (200031)
(C)	Included in Bearing Washer Kit # 203732.						
26	Buna-N Guide Seal (Black)	(B) (200042)	(B) (200042)	(B) (200042)	(B) (200042)	(B) (200042)	(B) (200042)
27	Guide Screws	200967	200967	200967	(206453)	(206453)	(206453)
(D)	Available through Rain Bird Service Center 877-727-8772 FAX 626-812-5716						
28	Bearing Guide	202166	202166	202166	202166	202166	202166
29	Bearing Guide Gasket	200044	200044	200044	206261	206261	206261
30	Retract Spring	201113	201113	201113	201113	201113	201113
31	Bearing Sleeve Assembly	202068	202068	202068	202068	202068	202068
32	Buna-N Lower Seal (Black)	(C) (200036)	(C) (200036)	(C) (200036)	(C) (200036)	(C) (200036)	(C) (200036)
33	Bearing Sleeve	(202049)	(202049)	(202049)	(202049)	(202049)	(202049)
34	Bearing Sleeve Pin	200064	200064	200064	200064	200064	200064
35	Wear Ring (Gold)	(C) (201608)	(C) (201608)	(C) (201608)	(C) (201608)	(C) (201608)	(C) (201608)
36	PTFE Speed Washer (White)	(C) (202169)	(C) (202169)	(C) (202169)	(C) (202169)	(C) (202169)	(C) (202169)
37	Buna-N Washer Seal (Gray)	(C) (201562)	(C) (201562)	(C) (201562)	(C) (201562)	(C) (201562)	(C) (201562)
38	Bearing Nipple	200037	200037	200037	200037	200037	200037
39	Friction Collars	200164	200164	200164	200164	200164	200164
—	Friction Collars, Locking	(200828)	(200828)	(200828)	(200828)	(200828)	(200828)
40	Inlet Screen 200006	200006	200006	200006	200006	200006	200006



21A / 31A / 41-51A SAM SERIES
 21A / 31A / 41-51A VIH-E SERIES



21A / 31A / 41-51A SAM SERIES
21A / 31A / 41-51A VIH-E SERIES

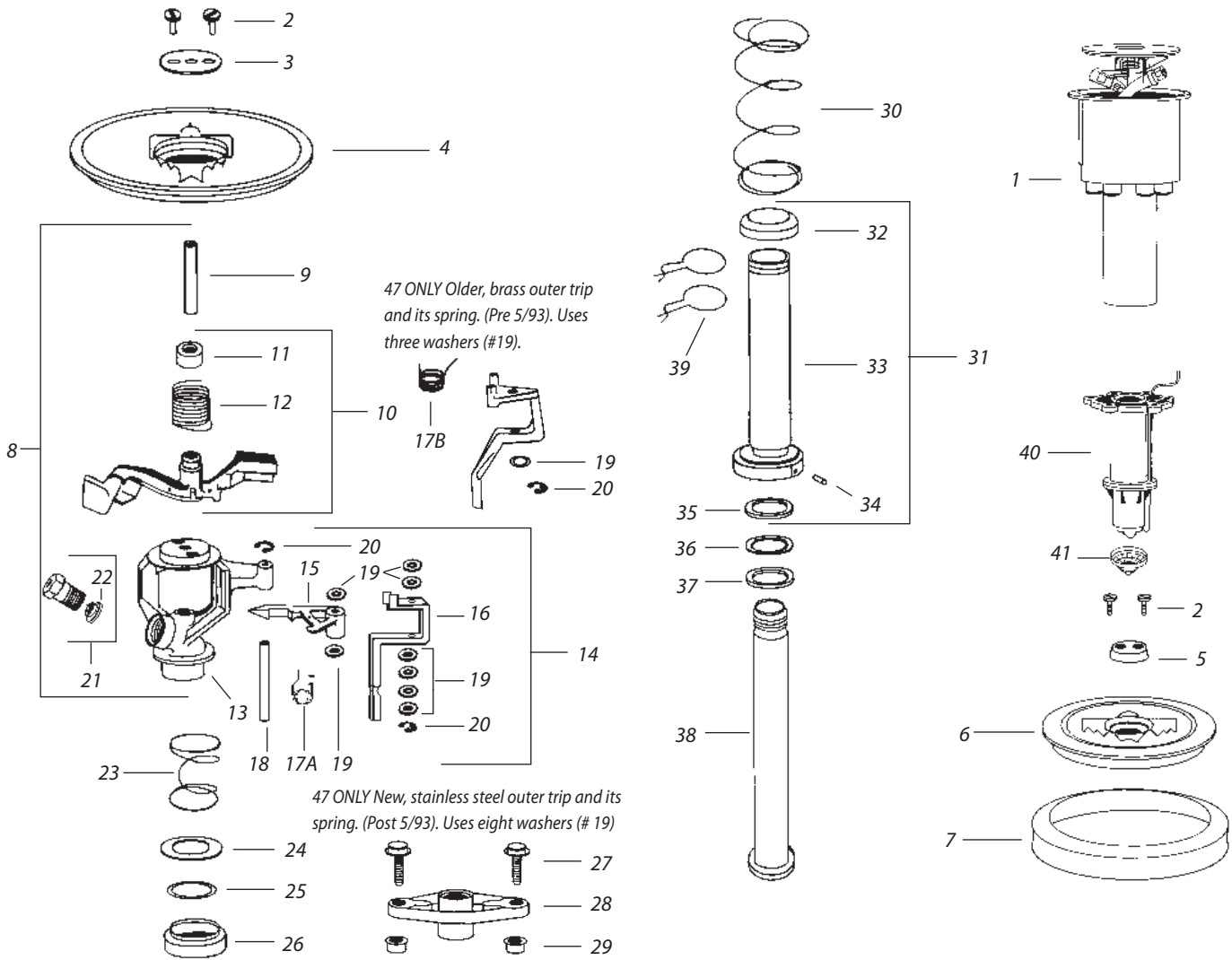
Ref.	Part Description	21ASAM 21ASAM-RC	31ASAM 31ASAM-RC	41-51ASAM 41-51ASAM-RC	21A-VIH-E 21A-VIH-E-RC	31A-VIH-E 31A-VIH-E-RC	41-51A-VIH-E 41-51A-VIH-E-RC
CASES							
1	1" Plastic Case (NPT)	201283-01	201283-01	201283-01	-	-	-
1	1" Plastic Case (BSP)	-	-	-	-	-	-
COVER ASSEMBLIES							
2	Cover Screws, Standard	200974	200974	200974	200974	200974	200974
3	Retainer, Steel	200740	200740	200740	200740	200740	200740
4	Aluminum Cover	-	-	-	-	-	-
4	Plastic Cover	-	-	-	-	-	-
5	Retainer, Rubber	-	-	-	-	-	-
6	Rubber Cover	-	-	-	-	-	-
7	Rubber Case Ring	-	-	-	-	-	-
-	Cover Screws, Vandal Resistant	-	-	-	-	-	-
INTERNAL ASSEMBLY		-	-	201254-14-11	-	-	201254-14-11
UPPER ASSEMBLY							
8	Arm/Body Assembly	-	-	-	-	-	-
9	Fulcrum Pin	200025	200025	200076	200025	200025	200076
10	Arm Spring Assembly	-	-	-	-	-	-
11	Arm Hood	-	-	-	-	-	-
12	Arm Spring	200027	200089	202384	200027	200089	202384
13	Body	-	-	-	-	-	-
NOZZLES (Specify nozzle size when ordering.)							
-	ADJ Nozzle Assembly	-	-	-	-	-	-
-	Spring	100136	100136	-	100136	100136	-
-	Adjustment Pin	100203	100203	-	100203	100203	-
14	Plastic Range Nozzle	-	-	(A) 211203-xx	-	-	(A) 211203-xx
14	Range Nozzle Assembly	-	-	-	-	-	-
15	Vane	-	-	-	-	-	-
16	Special Drive Nozzle	-	-	(B) 201108-xx	-	-	(B) 201108-xx
BEARING ASSEMBLY							
17	Bearing Spring	(C)	(C)	(C)	(C)	(C)	(C)
18	Steel Top Seal Washer	(C)	(C)	(C)	(C)	(C)	(C)
19	PTFE Top Seal Washer (White)	-	-	-	-	-	-
20	Buna-N Guide Seal (Black)	(C)	(C)	(C)	(C)	(C)	(C)
21	Guide Screws (Current Self Taping)	204090	204090	204090	204090	204090	204090
-	Guide Screws (Older Style - Brass)	-	-	-	-	-	-
-	Washer (Older Style - Brass)	-	-	-	-	-	-
-	Insert (Older Style - Brass)	-	-	-	-	-	-
22	Bearing Guide	207416	207416	207416	207416	207416	207416
23	Guide Bushings (Current Style Only)	204308	204308	204308	204308	204308	204308
24	Retract Spring	201113	201113	201113	201113	201113	201113
25	Bearing Sleeve Assembly	-	-	-	-	-	-
26	Buna-N Lower Seal (Black)	-	-	-	-	-	-
27	Bearing Sleeve	-	-	-	-	-	-
28	Wear Ring (Gold)	-	-	-	-	-	-
29	PTFE Speed Washer (White)	-	-	-	-	-	-
30	Buna-N Washer Seal (Gray)	-	-	-	-	-	-
31	Bearing Nipple	-	-	-	-	-	-
32 SAM SPRINKLER HOUSING ASSEMBLY		205679	205679	205679	-	-	-
-	Screw, Housing (2)	-	-	-	-	-	-
-	Upper Housing Seal	-	-	-	-	-	-
-	Lower Housing Seal	-	-	-	-	-	-
-	Vent Tube	-	-	-	-	-	-
-	Valve Tube	-	-	-	-	-	-
33	Inlet Screen	200006	200006	200006	-	-	-
VIH-E SOLENOID ASSEMBLY							
-	Rubber Retainer	-	-	-	206920-01	206920-01	206920-01
-	Coil	-	-	-	627167	627167	627167
-	U-Frame	-	-	-	602118	602118	602118
-	Base Nut	-	-	-	212124S	212124S	212124S
-	Core Tube / Plunger Spring Assembly	-	-	-	602142	602142	602142
-	Crush Washer	-	-	-	21297201S	21297201S	21297201S

(A) Specify Nozzle Size - 11, 12, 13, 14, 16, 18, 20, 22

(B) Specify Nozzle Size - 11, 11.5, 13

(C) Included in Bearing Spring Washer Kit # 203731.

27A / 37A / 47A SAM SERIES
 27A / 37A / 47A VIH-E SERIES



Ref.	Part Description	27ASAM 27ASAM-RC	37ASAM 37ASAM-RC	47ASAM 47ASAM-RC	27A-VIH-E 27A-VIH-E-RC	37A-VIH-E 37A-VIH-E-RC	47A-VIH-E 47A-VIH-E-RC
CASES							
1	1" Plastic Case (NPT)	201283-01	201283-01	201283-01	-	-	-
1	1" Plastic Case (BSP)	-	-	-	-	-	-
COVER ASSEMBLIES							
2	Cover Screws, Standard	200974	200974	200974	200974	200974	200974
3	Retainer, Steel	200740	200740	200740	200740	200740	200740
4	Aluminum Cover	-	-	-	-	-	-
4	Plastic Cover	-	-	-	-	-	-
5	Retainer, Rubber	-	-	-	-	-	-
6	Rubber Cover	-	-	-	-	-	-
7	Rubber Case Ring	-	-	-	-	-	-
-	Cover Screws, Vandal Resistant	-	-	-	-	-	-

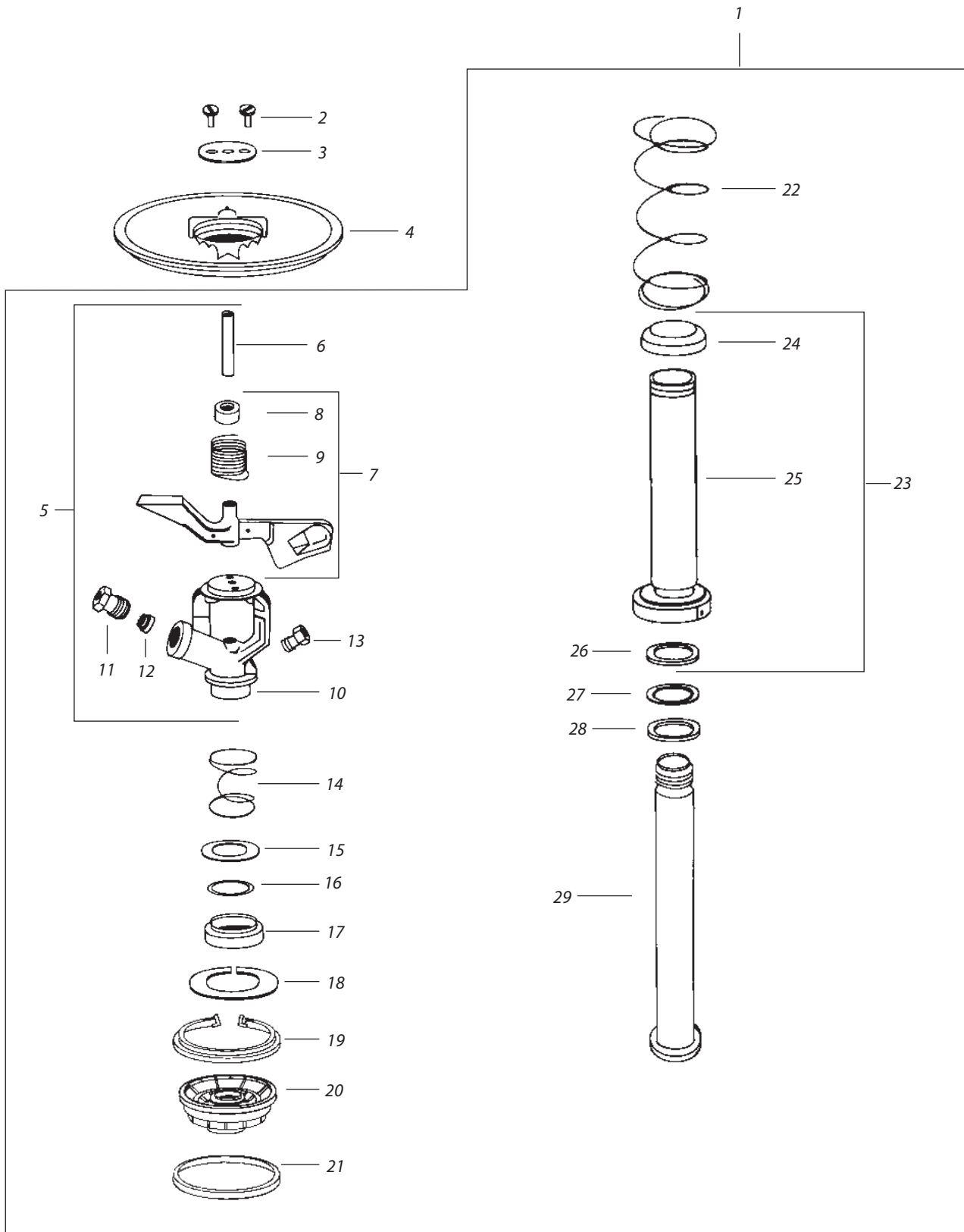
27A / 37A / 47A SAM SERIES
27A / 37A / 47A VIH-E SERIES

Ref. Part Description	27ASAM 27ASAM-RC	37ASAM 37ASAM-RC	47ASAM 47ASAM-RC	27A-VIH-E 27A-VIH-E-RC	37A-VIH-E 37A-VIH-E-RC	47A-VIH-E 47A-VIH-E-RC
INTERNAL ASSEMBLY	-	-	-	-	-	-
UPPER ASSEMBLY						
8 Arm/Body Assembly	-	200126-14	-	-	200126-14	-
9 Fulcrum Pin	200025	200025	200076	200025	200025	200076
10 Arm / Spring Assembly	-	-	-	-	-	-
11 Arm Hood	-	-	-	-	-	-
12 Arm Spring	200027	200089	200089	200027	200089	200089
13 Body	-	-	-	-	-	-
TRIP MECHANISM						
14 Trip Assembly	-	-	-	-	-	-
15 Inner Trip	200060	200060	200060	200060	200060	200060
16 Outer Trip	-	-	-	-	-	-
17A Trip Spring	-	-	-	-	-	-
17B Trip Spring (for Brass Outer Trip-47 ONLY)	-	-	-	-	-	-
18 Trip Shaft	-	-	201932	-	-	201932
19 Spacer Washers (2-27,37)(8-47)	201933	201933	201933	201933	201933	201933
20 E-Ring	-	-	200975	-	-	200975
NOZZLES (Specify nozzle size when ordering.)						
- ADJ Nozzle Assembly	201559-08	201559-08	-	201559-08	201559-08	-
- Spring	100136	100136	-	100136	100136	-
- Adjustment Pin	100203	100203	-	100203	100203	-
21 Range Nozzle Assembly	-	-	(A) 200079-xx	-	-	(A) 200079-xx
22 Vane	-	-	202143	-	-	202143
BEARING ASSEMBLY						
23 Bearing Spring	(B)	(B)	(B)	(B)	(B)	(B)
24 Steel Top Seal Washer	(B)	(B)	(B)	(B)	(B)	(B)
25 PTFE Top Seal Washer (White)	-	-	-	-	-	-
26 Buna-N Guide Seal (Black)	(B) 200042	(B) 200042	(B) 200042	(B) 200042	(B) 200042	(B) 200042
27 Guide Screws (Current Self Taping)	204090	204090	204090	204090	204090	204090
- Guide Screws (Older Style - Brass)	-	-	-	-	-	-
- Washer (Older Style - Brass)	-	-	-	-	-	-
- Insert (Older Style - Brass)	-	-	-	-	-	-
28 Bearing Guide	207416	207416	207416	207416	207416	207416
29 Guide Bushings (Current Style Only)	204308	204308	204308	204308	204308	204308
30 Retract Spring	201113	201113	201113	201113	201113	201113
31 Bearing Sleeve Assembly	-	-	-	-	-	-
32 Buna-N Lower Seal (Black)	-	-	-	-	-	-
33 Bearing Sleeve	-	-	-	-	-	-
34 Bearing Sleeve Pin	200064	200064	200064	200064	200064	200064
35 Wear Ring (Gold)	-	-	-	-	-	-
36 PTFE Speed Washer (White)	-	-	-	-	-	-
37 Buna-N Washer Seal (Gray)	-	-	-	-	-	-
38 Bearing Nipple	-	-	-	-	-	-
39 Friction Collars	200164	200164	200164	200164	200164	200164
Friction Collars, Locking	-	-	-	-	-	-
40 SAM SPRINKLER HOUSING ASSEMBLY	205679	205679	205679	-	-	-
- Screw, Housing (2)	-	-	-	-	-	-
- Upper Housing Seal	-	-	-	-	-	-
- Lower Housing Seal	-	-	-	-	-	-
- Vent Tube	-	-	-	-	-	-
- Valve Tube	-	-	-	-	-	-
41 Inlet Screen	200006	200006	200006	-	-	-
VIH-E SOLENOID ASSEMBLY						
- Rubber Retainer	-	-	-	206920-01 627167	206920-01 627167	206920-01 627167
- Coil	-	-	-	602118	602118	602118
- U-Frame	-	-	-	212124S	212124S	212124S
- Base Nut	-	-	-	602142	602142	602142
- Core Tube / Plunger Spring Assembly	-	-	-	21297201S	21297201S	21297201S
- Crush Washer	-	-	-	-	-	-

(A) Specify Nozzle Size 14, 15, 18

(B) Included in Bearing Spring Washer Kit # 203731.

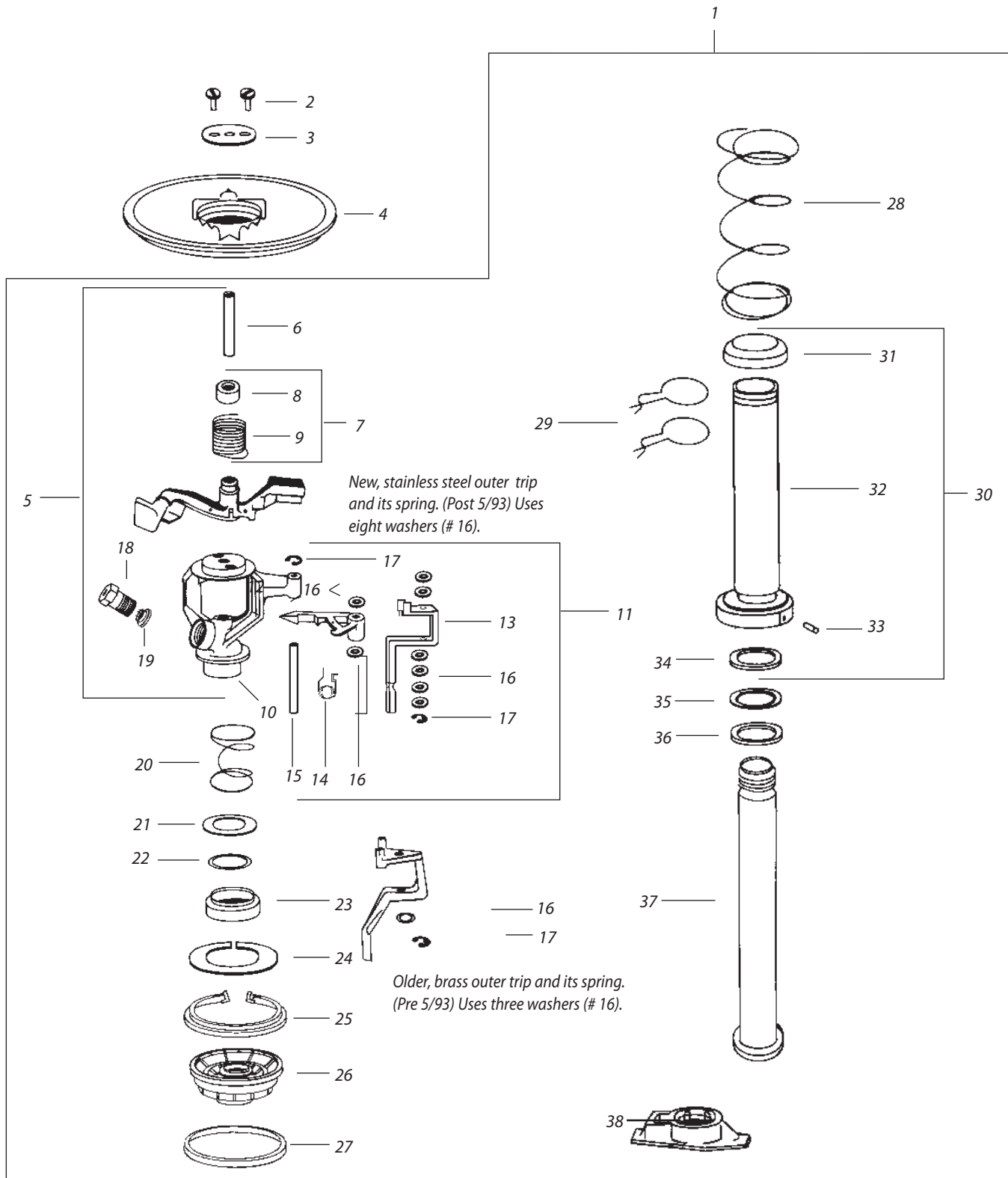
51DR / 51DS / 51DH INTERNAL ASSEMBLY



Note: Part numbers enclosed in brackets () are not available individually, but may be sold in assemblies or kits.

Ref.	Part Description	51DR/DS/DH
1	INTERNAL ASSEMBLY	(A) (B) 204130-xx
COVER ASSEMBLY		
2	Cover Screws, Standard (2)	200974
3	Retainer, Steel	200740
4	Plastic Cover	-
UPPER ASSEMBLY		
5	Arm/Body Assembly	-
6	Fulcrum Pin	200076
7	Arm Spring Assembly	-
8	Arm Hood	-
9	Arm Spring	202384
10	Body	-
NOZZLES (Specify nozzle sizes when ordering)		
11	Plastic Range Nozzle	(C) 211203-xx
12	Vane	-
13	Drive Nozzle	(D) 201108
BEARING ASSEMBLY		
14	Bearing Spring	(E)
15	Steel Top Seal Washer	(E)
16	PTFE Top Seal Washer	-
17	Buna-N Guide Seal (Black)	(E) 200042
18	Zinc Washer Kit - Sacrificial Anode	-
19	Upper Snap Ring	208395
20	Bearing Guide, Plastic	-
-	Bearing Guide Ring	207415
21	Seal, Bearing Guide (Red)	211239
22	Retract Spring	201113
23	Bearing Sleeve Assembly	-
24	Buna-N Lower Seal (Black)	-
25	Bearing Sleeve	-
26	Wear Ring (Gold)	-
27	PTFE Speed Washer (White)	-
28	Buna-N Washer Seal (Gray)	-
29	Bearing Nipple	-
(A) Specify Nozzle - 16, 24		
(B) Sub to EAGLE'S Nest Internal Assy.		
(C) Specify nozzle size: -11, -12, -13, -14, -16, -18, -20, -22		
(D) Specify nozzle size: -11, 11.5, -13		
(E) Included in Upper Bearing Spring Washer Kit # 203731		

47DR / 47DS / 47DH INTERNAL ASSEMBLY



Note: Part numbers enclosed in brackets () are not available individually, but may be sold in assemblies or kits.

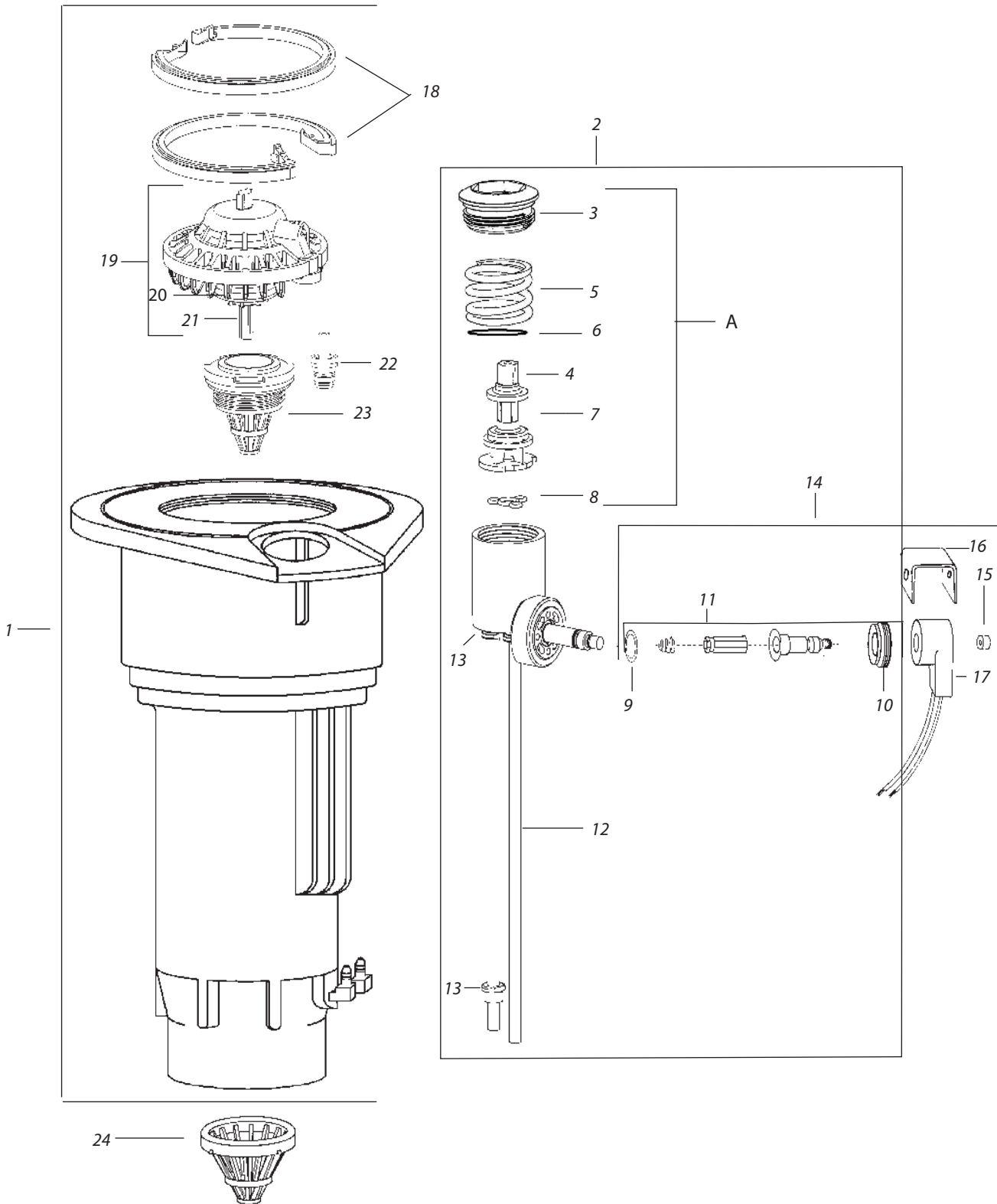
Ref.	Part Description	47DR/DS/DH
1	INTERNAL ASSEMBLY	(A)
COVER ASSEMBLY		
2	Cover Screws, Standard (2)	200974
3	Retainer, Steel	200740
4	Plastic Cover	-
UPPER ASSEMBLY		
5	Arm/Body Assembly	-
6	Fulcrum Pin	200076
7	Arm Spring Assembly	-
8	Arm Hood	-
9	Arm Spring	200089
10	Body	-
TRIP MECHANISM		
11	Trip Repair Kit	-
12	Inner Trip	200060
13	Outer Trip	-
14	Trip Spring	209363
15	Trip Shaft	201932
16	Spacer Washers (8)	201933
17	E-Ring (1)	200975
NOZZLES (Specify nozzle sizes when ordering)		
18	Range Nozzle Assembly	(B) 200079-xx
19	Vane	202143
BEARING ASSEMBLY		
20	Bearing Spring	(C)
21	Steel Top Seal Washer	(C)
22	Teflon Top Seal Washer	-
23	Buna-N Guide Seal (Black)	(C)
24	Zinc Washer Kit - Sacrificial Anode	-
25	Upper Snap Ring	208395
26	Bearing Guide, Plastic	-
-	Bearing Guide Ring	207415
27	Seal, Bearing Guide (Red)	211239
28	Retract Spring	201113
29	Friction Collars (2)	200164
30	Bearing Sleeve Assembly	-
31	Buna-N Lower Seal (Black)	-
32	Bearing Sleeve	-
33	Bearing Sleeve Pin	200064
34	Wear Ring (Gold)	-
35	Teflon Speed Washer (White)	-
36	Buna-N Washer Seal (Gray)	-
37	Bearing Nipple	-
38	Part Circle Adapter	203936

(A) Substitute EAGLE'S Nest Internal Assy.

(B) Specify nozzle size: -14, -15, -18

(C) Included in Upper Bearing Spring Washer Kit # 203731.

47DR / 47DS / 47DH / 51DR / 51DS / 51DH
 1PIECE CASE ASSEMBLY (POST 5/93)



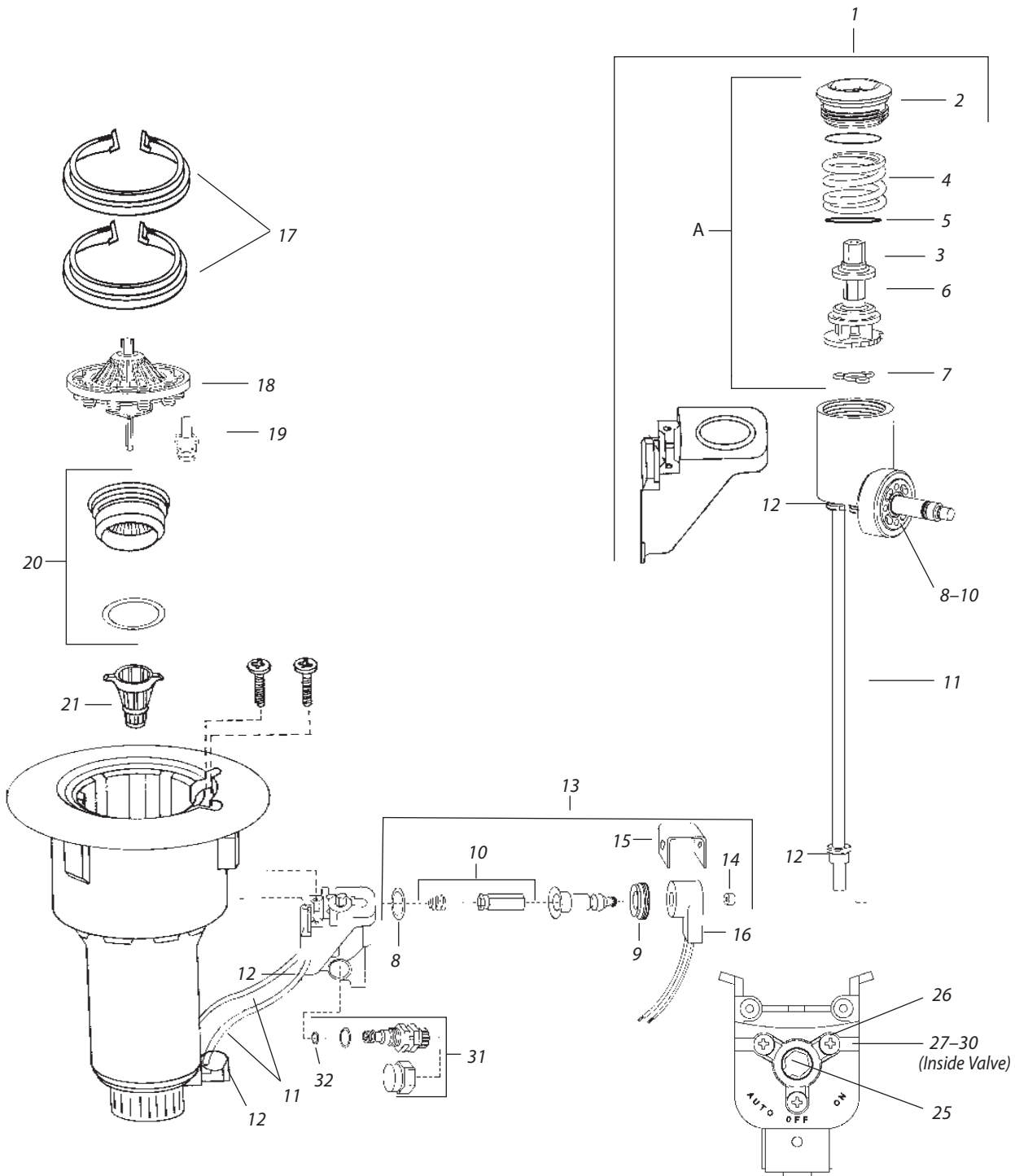
47DR / 47DS / 47DH / 51DR / 51DS / 51DH
1-PIECE CASE ASSEMBLY (POST 5/93)

Ref.	Part Description	47DR	47DS	47DH
		51DR	51DS	51DH
CASE ASSEMBLIES				
1	Case Assembly (NPT)	207955-03	208456-01	—
1	Case Assembly (BSP)	—	—	—
2	PRS/Selector Assembly	210808-03	—	—
3	Selector Cap	(A)	—	—
4	O-Ring, Stem Cover	(A)	—	—
5	Spring, Compression	(A)	—	—
6	Selector Spring Washer	(A)	—	—
7	PRS Cartridge	(A)	—	—
8	Selector Seal (Rust)	(A) 211663	—	—
9	O-Ring, Solenoid Base	211237	—	—
10	Base Nut	602606	—	—
11	Plunger Assembly	212972-01S	—	—
12	Tubing (2)	211607	211607	—
13	Ferrule, Barbed (2)	—	—	—
14	Solenoid Assembly	206920-01	—	—
15	Retainer, Rubber	627167	—	—
16	U-Frame	212124S	—	—
17	Coil	602118	—	—
18	Snap Ring, Lower (2)	208396	208396	208396
19	HPDV Valve Assembly	211266	212323	212323
20	Seal, Inlet (Not Shown)	211197	212220S	212220S
21	Filter, Universal	206092-02	—	—
22	Probe & O-ring Assembly	207402	207402	207402
23	Top-Serviceable Rock Screen (>6/98)	211714-02	211714-02	211714-02
—	O-Ring, Rock Screen	210366	210366	210366
—	HFDV Repair Kit (for stainless steel valve) (<3/00)	207594	208439	208439
—	Inlet Adapter Kit (<6/98) (B)	207654	207654	207654
24	Screen, Inlet (<6/98)	—	—	—

(A) Included in PRS/Selector Repair Kit # 213366.

(B) Inlet adapter required on one-piece cases made between 5/87 to 6/98. After 6/98 the top-serviceable rock screen and valve seat is included in the one-piece case #211714-02.

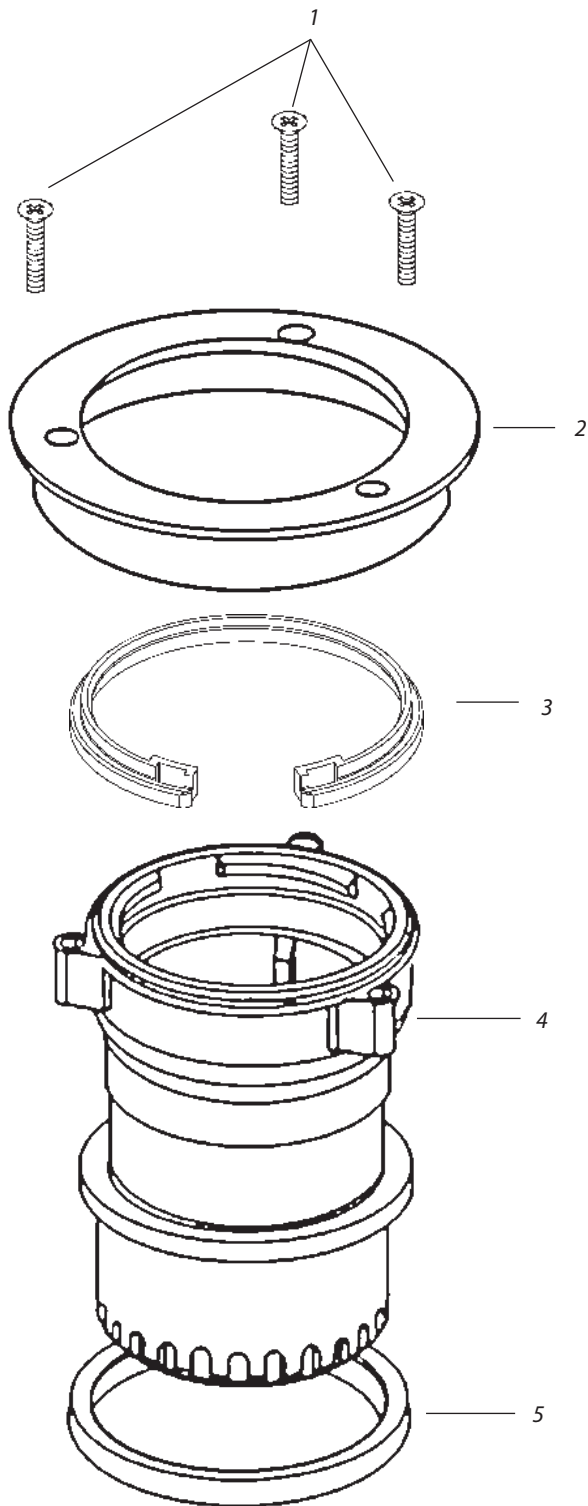
47DR / 47DS / 47DH / 51DR / 51DS / 51DH - OLD 2-PIECE CASE (PRE 5/93)
 NEW PRS/SELECTOR VALVE WITH ADAPTER
 OLD PRS/SELECTOR VALVE PARTS



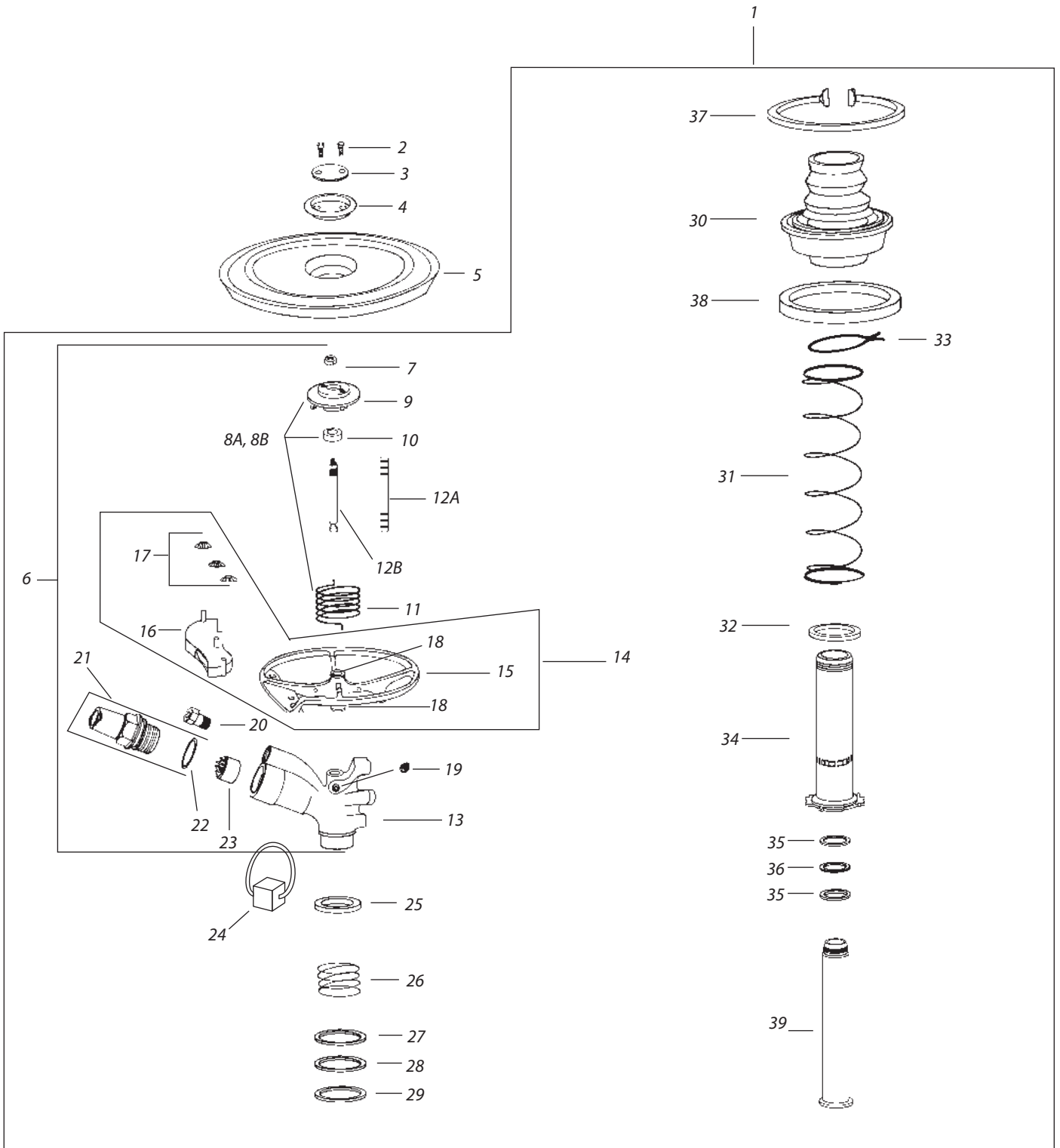
47DR / 47DS / 47DH / 51DR / 51DS / 51DH - OLD 2 PIECE CASE (PRE 5/93)
 NEW PRS / SELECTOR VALVE WITH ADAPTER
 OLD PRS / SELECTOR VALVE PARTS

Ref.	Part Description	47DR	47DS	47DH	Ref.	Part Description	47DR	47DS	47DH
		51DR					51DL		
NEW PRS/SELECTOR VALVE ASSEMBLY WITH ADAPTER					2-PIECE CASE PARTS				
1	PRS/Selector Assembly	210808-03	—	—	17	Lower Snap Rings (2)	208396	208396	208396
2	Selector Cap	(A)	—	—	18	HPDV Valve	211266	212323	212323
3	Stem Cover O-Ring	(A)	—	—	—	HFDV Repair Kit (for stainless steel valve)	207594	—	—
4	Compression Spring	(A)	—	—	19	Probe & O-Ring Assembly	207402	207402	207402
5	Selector Washer	(A)	—	—	20	Inlet Adapter Kit (D)	207654	207654	207654
6	PRS Cartridge	(A)	—	—	21	Inlet Screen	—	—	—
7	Seal, Selector	(A) 211663	—	—	12	Ferrule (4-DR,2-DS,1-DH)	—	—	—
8	Solenoid Base O-Ring	211237	—	—	(A) Included in new style PRS/Selector Repair Kit # 213366. (B) Selector Valves made before 6/88 used three (3) O-Rings # 211238. (C) PRS/Selector Assy with adaptor use replacement part # 210808-03 (D) For pre-1998 cases that used the old DV brass valve. New valve assemblies HFDV and HPDV do not require the inlet adapter kit.				
9	Base Nut	602606	—	—					
10	Plunger-Core Tube Assy	212972-01S	—	—					
11	Tubing (2)	211607	211607	—					
12	Barbed Ferrule (2)	—	—	—					
OLD SELECTOR VALVE PARTS (Pre 5/93)									
—	Selector Valve Stem Repair Kit (3/89-5/93)	—	—	—					
25	Stem Assy	—	—	—					
26	Screws (3)	—	—	—					
—	O-Ring (4)	(B) 211238	—	—					
27	Compression Spring	(C)	—	—					
28	Spring Washer (2 or 3)	(C)	—	—					
29	Seal Washer	(C)	—	—					
30	Seal O-Ring	(C)	—	—					
31	Pressure Regulator	(C)	—	—					
32	Selector Valve O-Ring	(C)203026	—	—					
8	Solenoid Base O-Ring	211237	—	—					
9	Base Nut	602606	—	—					
11	Tube (2)	211607	211607	—					
SOLENOID ASSEMBLY - ALL CASE TYPES									
13	Solenoid Assembly	206920-01	—	—					
9	Base Nut	602606	—	—					
14	Retainer, Rubber	627167	—	—					
15	U-Frame	212124S	—	—					
16	Coil	602118	—	—					

**EAGLE'S NEST™ ROTOR ADAPTORS
FOR 47/51DR SERIES ROTORS**



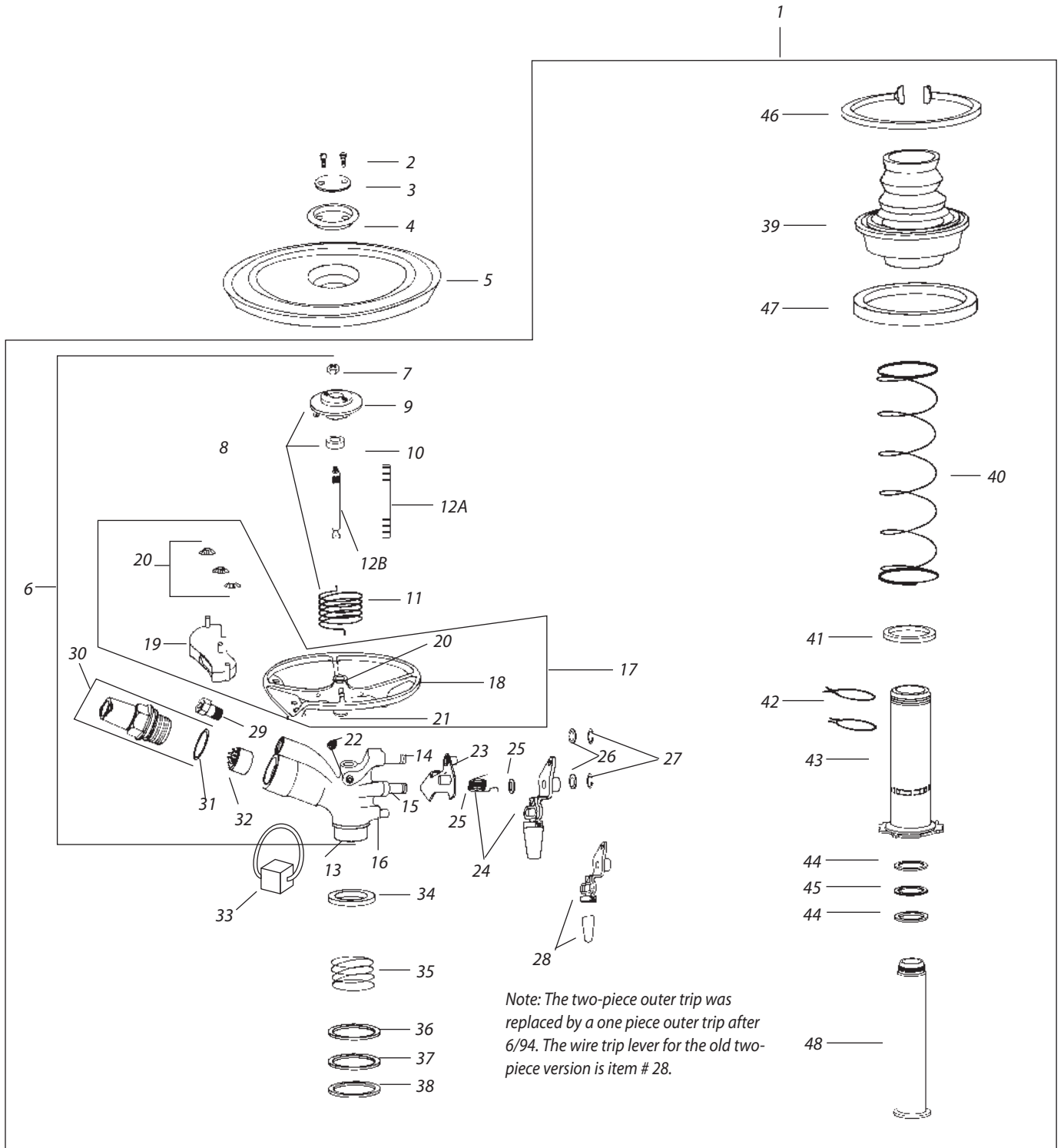
Ref.	Part Description	Qty.	Part No.
1	Screw, 3/4" Self Tapping #10 Thd.	3	211487
2	Cover, Eagle's Nest	1	211482
3	Snap Ring, Eagle's Nest 47/51	1	211133-01
4	Adaptor, Eagle's Nest	1	-
5	Seal, U-cup (Red)	1	211239



91DR / 91DS / 91DH INTERNAL ASSEMBLY

Ref. Part Description	91DR	91DS	91DH
1 INTERNAL ASSEMBLY(A)	208237-xx	208237-xx	208237-xx
COVER ASSEMBLIES			
2 Cover Screws, Standard	200974	200974	200974
3 Steel Retainer	202685	202685	202685
4 Plastic Sand Cover	204749	204749	204749
5 Plastic Cover (Purple)	208625-09	208625-09	20862-09
UPPER ASSEMBLY (New Threaded Fulcrum Pin Version)			
6 Arm/Body Assy	20333930_15	20333930_15	20333930_15
- Body/Fulcrum Pin Assy	202686	202686	202686
7 Fulcrum Nut	(B)	(B)	(B)
8A Cover Support Assy Threaded	-	-	-
9 Cover Support	-	-	-
10 Arm Hood	-	-	-
11 Arm Spring	202699	202699	202699
12A Fulcrum Pin - Threaded	(B)	(B)	(B)
13 Body	-	-	-
14 Arm Assembly	-	-	-
15 Arm	-	-	-
16 PJ Tube Assembly	-	-	-
17 Pushnut (3)	203638	203638	203638
18 Arm Bushings (2)	202826	202826	202826
24 Zinc Anode Kit	-	-	-
OLDER NON THREADED FULCRUM PIN PARTS			
8B Cover Support Assy Non-Threaded	203285	203285	203285
9 Cover Support	-	-	-
10 Arm Hood	-	-	-
11 Arm Spring	202699	202699	202699
- Fulcrum Pin Repair Kit Non-Threaded	210068	210068	210068
7 Fulcrum Nut	-	-	-
12B Fulcrum Pin-NON-THD'D	-	-	-
19 Set Screw	-	-	-
NOZZLES (Included in Arm/Body Assy # 6) (Specify nozzle size when ordering)			
20 Drive Nozzle	206081	206081	206081
21 Range Nozzle Assy	(D)204182-xx	(D)204182-xx	(D)204182-xx
22 O-Ring	203316	203316	203316
23 Vane	202441	202441	202441
BEARING ASSY (Sandboot Style)			
25 Bearing Hood	(C)	(C)	(C)
26 Bearing Spring	(C)	(C)	(C)
- Sandboot Kit	208468	208468	208468
27 Spring Support Washer	(C)	(C)	(C)
28 PTFE Top Seal Washer	(C)	(C)	(C)
29 Upper Brg Seal Washer	(C)	(C)	(C)
30 Bellows/Bearing Guide	(C)	(C)	(C)
31 Retract Spring	-	-	-
32 Buna N Guide Seal	(C)	(C)	(C)
33 Friction Collar (1)	202429	202429	202429
34 Bearing Sleeve Assembly	203126	203126	203126
35 Brg Washer (Black) (2)	(C)	(C)	(C)
36 Wear Washer (Gold)	(C)	(C)	(C)
37 Upper Snap Ring	208395	208395	208395
38 Seal, Bearing Guide (Red)	211239	211239	211239
39 Bearing Nipple	202928	202928	202928

- (A) Specify Range Nozzle size - 24, 26, 28, 30.
 (B) Included in Fulcrum Repair Kit # 211022.
 (C) Included in Bearing Washer Kit # 204179.
 (D) Specify Range Nozzle size - 20, 22, 24, 26, 28, 30.

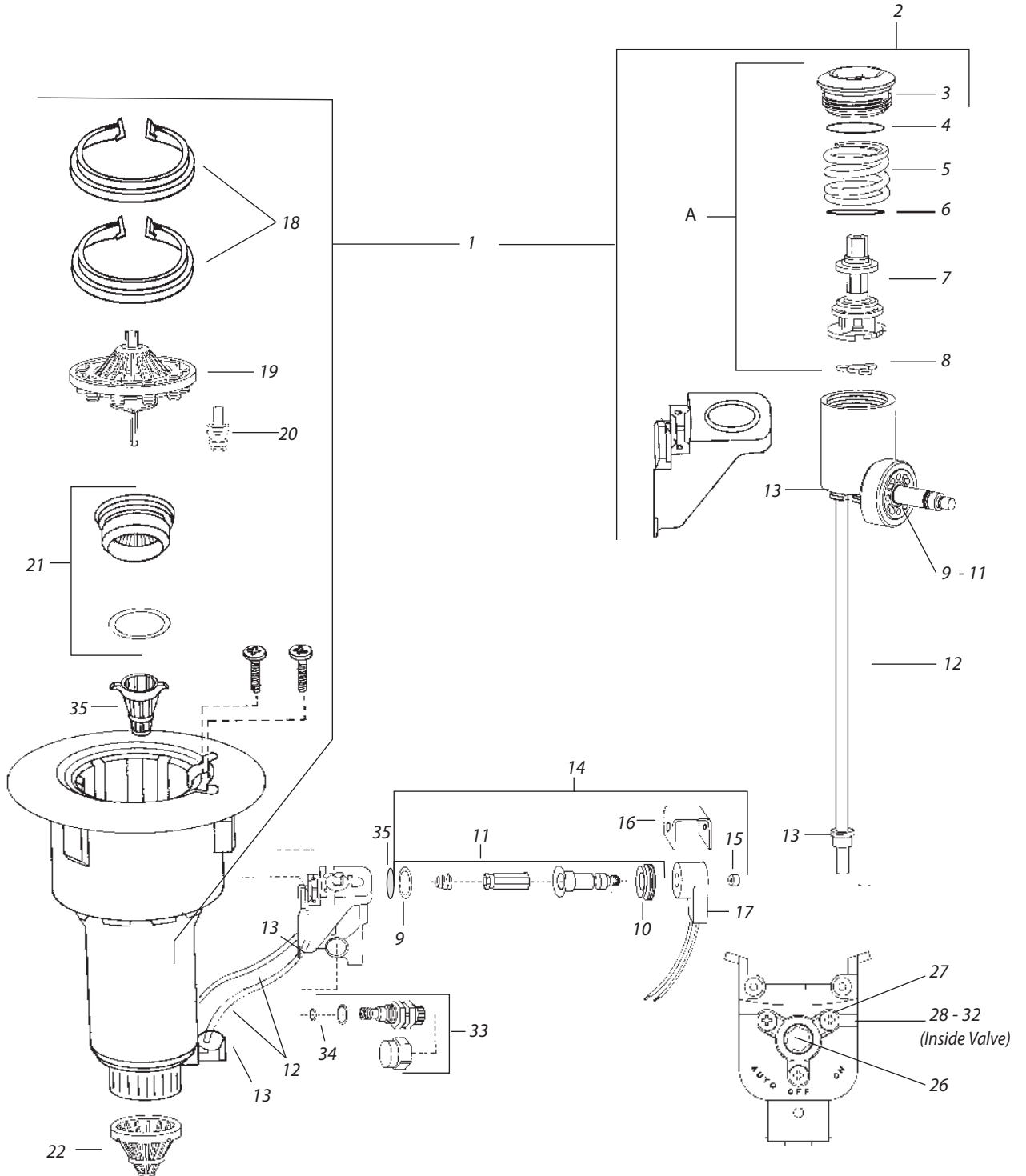


95DR / 95DS / 95DH INTERNAL ASSEMBLY

Ref.	Part Description	95DR	95DS	95DH
1	INTERNAL ASSEMBLY(A)	208236-xx	208236-xx	208236-xx
COVER ASSEMBLIES				
2	Cover Screws, Standard	200974	200974	200974
3	Steel Retainer	202685	202685	202685
4	Plastic Sand Cover	204749	204749	204749
5	Plastic Cover (Purple)	208625-09	208625-09	208625-09
UPPER ASSEMBLY (New Threaded Fulcrum Pin Version)				
6	Arm/Body Assy	-	-	-
-	Body/Fulcrum Pin Assy	202686	202686	202686
7	Fulcrum Nut	(B)	(B)	(B)
8A	Cover Support Assy Threaded	-	-	-
9	Cover Support	-	-	-
10	Arm Hood	-	-	-
11	Arm Spring	202699	202699	202699
12A	Fulcrum Pin-Threaded	(B)	(B)	(B)
13	Body	-	-	-
14	Upper Trip Shaft	-	-	-
15	Lower Trip Shaft	-	-	-
16	Stop Pin	-	-	-
17	Arm Assembly	-	-	-
18	Arm	-	-	-
19	PJ Tube Assembly	-	-	-
20	Pushnut (3)	203638	203638	203638
21	Arm Bushings (2)	202826	202826	202826
33	Zinc Anode Kit	-	-	-
OLDER NON THREADED FULCRUM PIN PARTS				
8B	Cover Support Assy Non-Threaded	203285	203285	203285
9	Cover Support	-	-	-
10	Arm Hood	-	-	-
11	Arm Spring	202699	202699	202699
-	Fulcrum Pin Repair Kit Non-Threaded	210068	210068	210068
7	Fulcrum Nut	-	-	-
12B	Fulcrum Pin-NON THD'D	-	-	-
22	Set Screw	-	-	-
TRIP MECHANISM				
23	Upper Trip Assembly	-	-	-
24	Lower Trip Assy (Post-6/94)	211186	211186	211186
25	Trip Spring	(C)	(C)	(C)
26	Spacer Washers (3)	(C)	(C)	(C)
27	E-Ring (2)	(C) 200975	(C) 200975	(C) 200975
28	Lower Trip Assy (Pre-6/94)	202848	202848	202848
29	Trip Lever (Pre-6/94)	-	-	-
NOZZLES (Included in Arm/Body Assembly # 6)				
29	Drive Nozzle	-	-	-
30	Range Nozzle Assy	(D)204182-xx	204182-xx	204182-xx
31	O-Ring	203316	203316	203316
32	Vane202441	202441	202441	202441
BEARING ASSY (Sandboot Style)				
34	Bearing Hood	(E)	(E)	(E)
35	Bearing Spring	(E)	(E)	(E)
-	Sandboot Kit	208468	208468	208468
36	Spring Support Washer	(E)	(E)	(E)
37	PTFE Top Seal Washer	(E)	(E)	(E)
38	Upper Brg Seal Washer	(E)	(E)	(E)
39	Bellows/Bearing Guide	(E)	(E)	(E)
40	Retract Spring	-	-	-
41	Buna N Guide Seal	(E)	(E)	(E)
42	Friction Collars (2)	202429	202429	202429
43	Bearing Sleeve Assembly	203126	203126	203126
44	Brg Washer (Black) (2)	(E)	(E)	(E)
45	Wear Washer (Gold)	(E)	(E)	(E)
46	Upper Snap Ring	208395	208395	208395
47	Seal, bearing Guide (Red)	211239	211239	211239
48	Bearing Nipple	202928	202928	202928

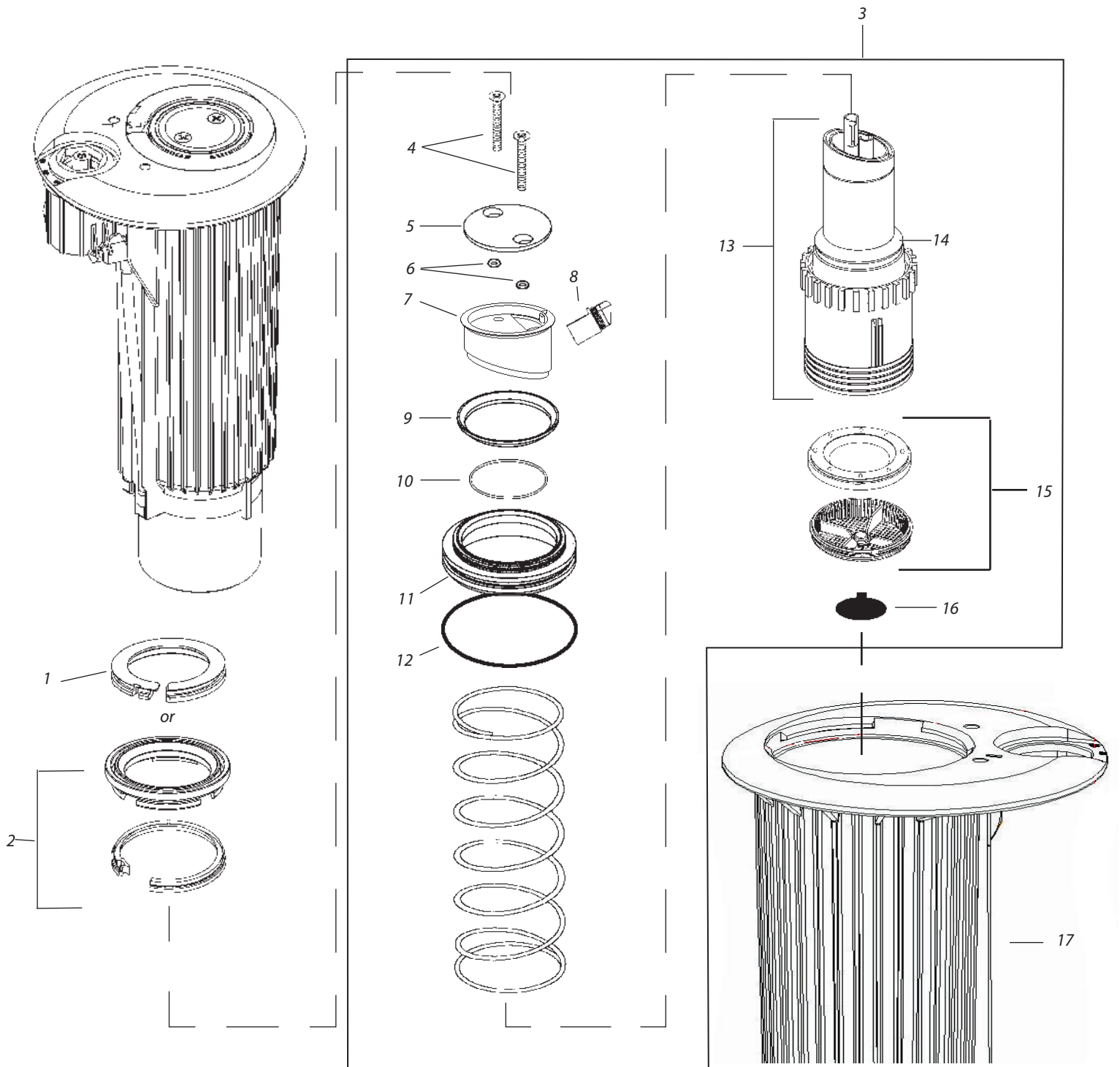
- (A) Specify Range Nozzle Size - 26
- (B) Included in Fulcrum Repair Kit # 211022.
- (C) Included in Trip Spring & Washer Kit # 209361.
- (D) Specify Range Nozzle Size - 20, 22, 24, 26, 28, 30.
- (E) Included in Bearing Washer Kit # 204179.

NEW PRS/SELECTOR VALVE ASSEMBLY WITH ADAPTER
 OLD PRS/SELECTOR VALVE PARTS



91DR / 91DS / 91DH / 95DR / 95DS / 95DH CASE ASSEMBLY

Ref. Part Description	91DR / 95DR	91DS / 95DS	91DH / 95DH
CASE ASSEMBLY WITH NEW PRS/SELECTOR VALVE (Post 5/93)			
1 Case Assembly (NPT)	—	—	—
1 Case Assembly (BSP)	—	—	—
2 PRS/Selector Assembly	210808-03	—	—
Selector Adapter	—	—	—
3 Selector Cap	(A)	—	—
4 Stem Cover O-Ring	(A)	—	—
5 Compression Spring	(A)	—	—
6 Selector Washer	(A)210040	—	—
7 PRS Cartridge	(A)	—	—
8 Selector Seal (Rust)	(A) 211663	—	—
9 Solenoid Base O-Ring	211237	—	—
10 Base Nut	602606	—	—
11 Assembly Plunger Core/Tube	212972-01S	—	—
12 Tubing (2)	211607	211607	—
13 Ferrule (2-DR, 1-DH)	—	—	—
14 Solenoid Assembly	206920-01	—	—
15 Rubber Retainer	627167	—	—
16 U-Frame	212124S	—	—
17 Coil	602118	—	—
18 Snap Ring, Lower (2)	208396	208396	208396
19 HPDV Valve Assembly	211266	212323	212323
20 Probe & O-ring Assembly	207402	207402	207402
21 Inlet Adapter	207654	207654	207654
22 Inlet Screen (Post-7/93)	—	—	—
VALVE REPAIR KITS - OLDER MODELS			
– HFDV Repair Kit (for stainless steel valve)	207594	—	—
OLD SELECTOR VALVE PARTS (Pre 5/93)			
– Selector Valve Stem Repair Kit	—	—	—
26 Stem Assembly	—	—	—
27 Screws (3)	—	—	—
28 O-Ring (4)	(B) 211238	—	—
29 Compression Spring	(C)	—	—
30 Spring Washer (2 or 3)	(C)	—	—
31 Seal Washer	(C)	—	—
32 Seal O-Ring	(C)	—	—
33 Pressure Regulator	—	—	—
34 Selector Valve O-Ring	(C)203026	—	—
9 Solenoid Base O-Ring	—	—	—
14 Solenoid Assembly	206920-01	—	—
10 Base Nut	602606	—	—
11 Plunger-Core Tube Assy	212972-01S	—	—
15 Rubber Retainer	627167	—	—
16 U-Frame	212124S	—	—
17 Coil	602118	—	—
12 Tubing (2)	211607	211607	—
13 Ferrule (2-DR, 1-DH)	—	—	—
35 Screen	—	—	—
(A) Included in new style PRS/Selector Repair Kit # 213366.			
(B) Selector Valves made before 6/88 used three (3) O-Rings #211238.			
(C) PRS/Selector Assy with adaptor use replacement Part # 210808-03			



EAGLE 500 INTERNAL ASSEMBLY

Ref.	Part Description	Qty.	500-E	500-S/H	500B	Ref.	KITS & Accessories	Qty.	P/N
SNAP RINGS						1	Snap-Cover, Yellow		211921-02
1	Snap Cover (excluding BRC)	1	211921-01	211921-01	211921-01	1	Snap-Cover, White		211921-03
2	Rubber Cover Kit	1	212551	212551	211355	1	Snap-Cover, Purple (Non-Potable)		211921-04
INTERNAL ASSEMBLY						Rubber Cover Kit (E/H/S) (E)212551			
3	Internal Assembly (A)	1	211580-xx	211580-xx	(B)211580-xx	-	Rubber Cover, Snap Ring	1	
COVER ASSEMBLY						-	Snap Ring, Upper	1	
4	Self-Tapping Screw	2	210974	210974	210974	-	Rubber Cover, Housing	1	
5	Housing Cover	1	211282	211282	211282	-	Rubber Case Cover (E/H/S)	1	
6	Screw O-Ring	2	211236	211236	211236	Rubber Cover Kit (B & BRC) 211355			
NOZZLES						-	Rubber Cover, Snap Ring	1	
7	Nozzle Housing - Black (C)	1	210356-02	210356-02	210356-02	-	Snap Ring, Upper	1	
8	Range Nozzle Assembly (A)	1	213500-xx	213500-xx	213500-xx	-	Rubber Cover, Housing	1	
9	Retract Seal	1	210354	210354	210354	-	Rubber Case Ring (B case)	1	
15	Stator / Screen Kit	1	210403-01	210403-01	210403-01	5 Cover, Yardage Marker Blank (Black) 211752-01			
16	Seal-a-Matic™ Sreen Assy (B/BRC Only)	1	-	-	211292				
BEARING / RISER-MOTOR ASSEMBLY									
10	Nozzle Housing O-Ring	1	210366	210366	210366				
11	Bearing Guide Assy, STD	1	211147	-	-				
11	Bearing Guide Assy, LO-FLOW (D)	1	-	211263	211263				
12	Bearing Guide O-Ring	1	211242	211242	211242				
13	Riser Motor Assembly	1	214700-00	214700-00	214700-00				
14	Pop-up Seal (White)	1	210399	210399	210399				
17	CASE ASSEMBLY See Catalog No. 464								

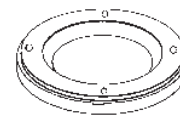
- (A) Specify Nozzle Size when ordering. Available in # 52, 53, 54.
- (B) Also requires Seal-a-Matic™ Sreen Assy (B/BRC) Part # 211292
- (C) For non-potable applications use standard part and purple snap ring, part # 211921-04
- (D) The LO-FLOW Bearing Guide #211263 may also be used on the 500 Series Electric rotor
- (E) For smooth case rotors use part # 211602

Stator / Poppet Configurations

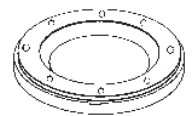
Color	Number	Electric Pressure Setting psi (bars)				Hyd, SAM, B
		60 (4,1)	70 (4,8)	80 (5,5)	100 (6,9)	
Beige	#52	S4	S4	S4	S4	S4
Gray	#53	S4	S4	S4	S4	S4
Red	#54	S8	S8	S8	S8	S8

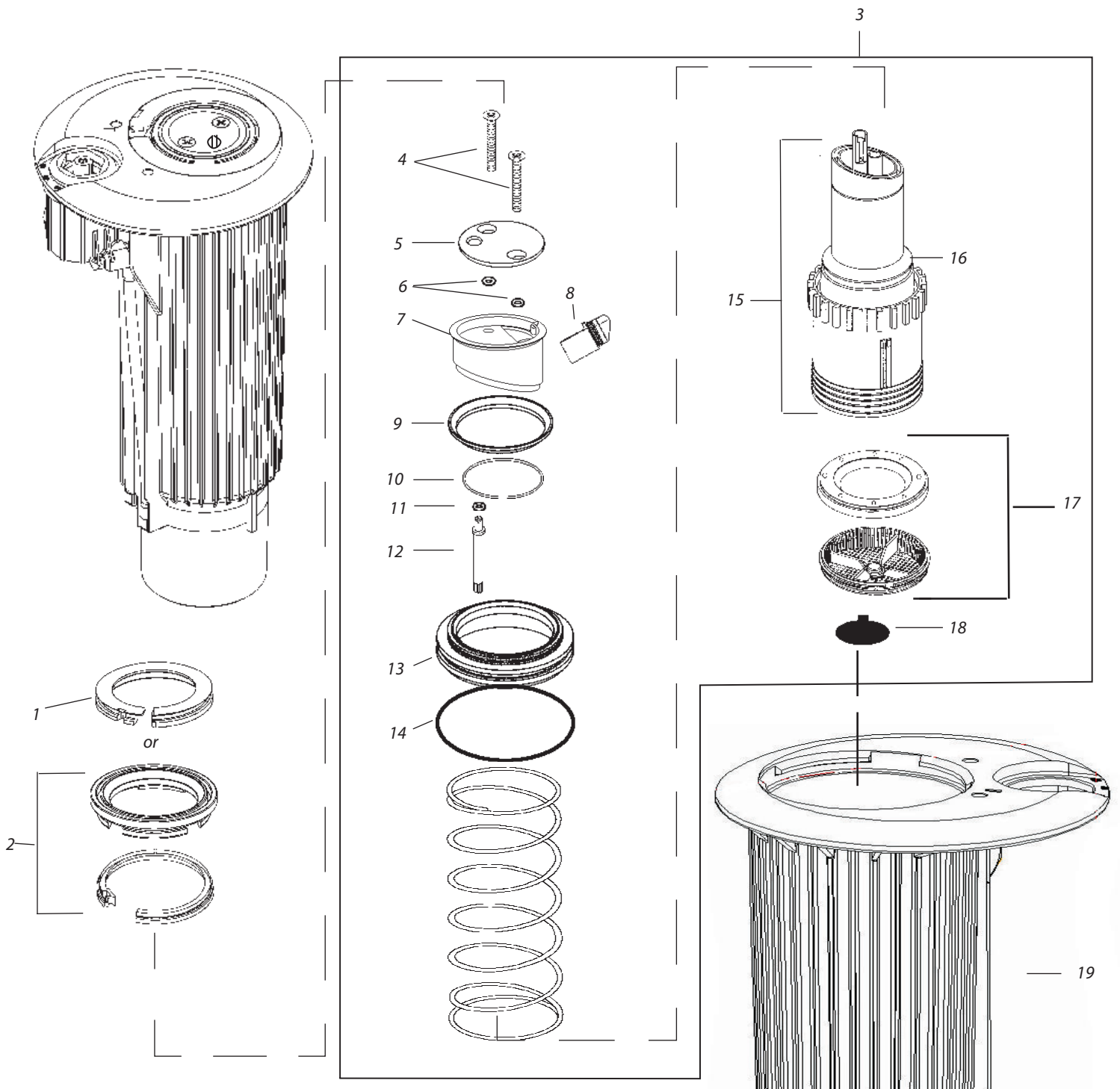
S4 = Stator with 4 Holes S8 = Stator with 8 Holes

Stator with 4 Holes



Stator with 8 Holes





EAGLE 550 INTERNAL ASSEMBLY

Ref.	Part Description	Qty.	550-E	550-S/H	550B
SNAP RINGS					
1	Snap Cover (excluding BRC)	1	211921-01	211921-01	211921-01
2	Rubber Cover Kit	1	212551	212551	211355
INTERNAL ASSEMBLY					
3	Internal Assembly (A) (C)	1	214751-xx	214751-xx	214651-xx
COVER ASSEMBLY					
4	Self-Tapping Screw	2	210974	210974	210974
5	Housing Cover	1	211281	211281	211281
6	Screw O-ring	2	211236	211236	211236
NOZZLES					
7	Nozzle Housing- Black (D)	1	210356-01	210356-01	210356-01
8	Range Nozzle Assembly (A)	1	210500-xx	210500-xx	210500-xx
9	Retract Seal	1	210354	210354	210354
17	Stator / Screen Kit	1	210403-01	210403-01	210403-01
18	Seal-a-Matic™ Screen Assy(B/BRC Only)	1	-	-	211292
BEARING / RISER-MOTOR ASSEMBLY					
10	Nozzle Housing O-Ring	1	210366	210366	210366
11	Arc Adjustment Stem O-Ring	1	211236	211236	211236
12	Arc Adjustment Stem	1	210420	210420	210420
13	Bearing Guide Assy, STD	1	211147	-	-
13	Bearing Guide Assy, LO-FLOW (E)	1	-	211263	211263
14	Bearing Guide O-Ring	1	211242	211242	211242
15	Riser Motor Assembly	1	210535	210535	210535
16	Pop-up Seal (White)	1	210399	210399	210399
20 CASE ASSEMBLY					

- (A) Specify Nozzle Size when ordering. Available in # 52, 53, 54.
- (B) Also requires Seal-a-Matic™ Screen Assy(B/BRC) Part # 211292
- (C) For non-potable applications use standard part and purple snap ring part # 211921-04
- (D) The LO-FLOW Bearing Guide #211263 may also be used on the 550 Series Electric rotor
- (E) For smooth case rotors use part # 211602

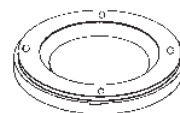
Ref.	KITS & Accessories	Qty.	P/N
1	Snap-Cover, Yellow		211921-02
1	Snap-Cover, White		211921-03
1	Snap-Cover, Purple (Non-Potable)		211921-04
Rubber Cover Kit (E/H/S)			(F)212551
2A	Rubber Cover, Snap Ring	1	
2B	Snap Ring, Upper	1	
5	Rubber Cover, Housing	1	
-	Rubber Case Cover (E/H/S)	1	
Rubber Cover Kit (B & BRC)			211355
2A	Rubber Cover, Snap Ring	1	
2B	Snap Ring, Upper	1	
5	Rubber Cover, Housing	1	
-	Rubber Case Ring (B case)	1	
5	Cover, Yardage Marker Blank (White)		211996-03
	Cover, Yardage Marker Blank (Black)		211996-01
Diffuser Screw Kit (#52 & 53 only)			211964-52
-	(Includes modified Range Nozzle)		211964-53
7	Nozzle Housing, Drilled & Tapped	1	
8	Range Nozzle Assy, Modified	1	
-	Diffuser Screw (not shown)	1	
5	Cover, (Notched)	1	
9	Retract Seal	1	
6	Screw O-Ring	2	
EAGLE's Tail Kit (Black) - without nozzle			212029
7	Housing, Nozzle, Drilled in back	1	
-	Close-in Spreader Nozzle, 700	1	211452
5	Housing Cover	1	
10	Retract Seal	1	
6	Screw O-Ring	2	
-	EAGLE's Tail Instruction Sheet	1	

Stator / Poppet Configurations

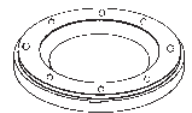
Color	Number	Electric Pressure Setting psi (bars)			Hyd, SAM, B
		60 (4,1)	70 (4,8)	80 (5,5)	100 (6,9)
Beige	#52	S4	S4	S4	S4
Gray	#53	S4	S4	S4	S4
Red	#54	S8	S8	S8	S8

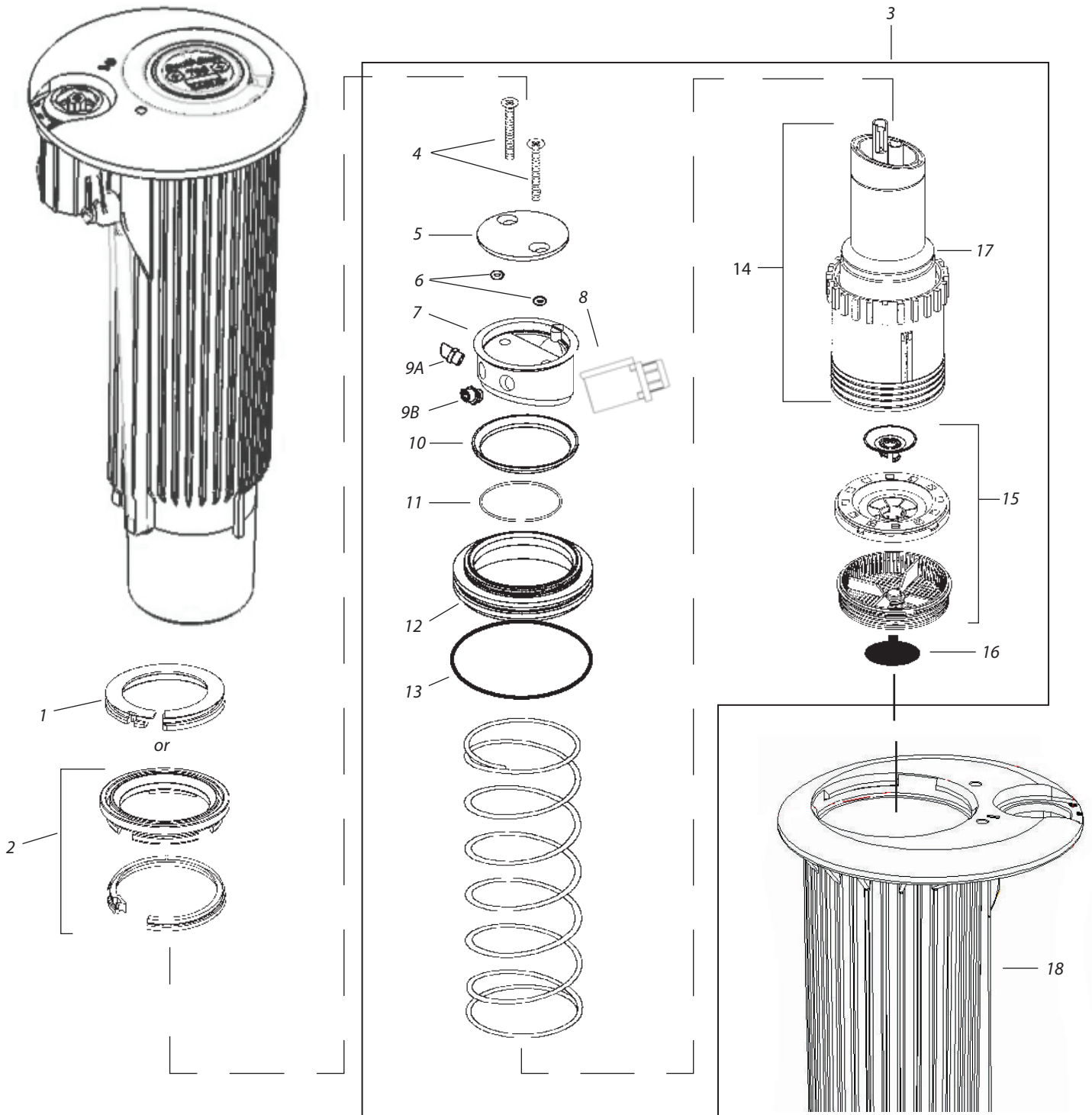
S4 = Stator with 4 Holes S8 = Stator with 8 Holes

Stator with 4 Holes



Stator with 8 Holes





EAGLE 700 INTERNAL ASSEMBLY

Ref. Part Description	Qty.	700-E	700-S/H	700B
SNAP RINGS				
1 Snap Cover (excluding BRC)	1	211921-01	211921-01	211921-01
2 Rubber Cover Kit	1	212551	212551	211355
INTERNAL ASSEMBLY				
3 Internal Assembly (A)(B)(C)	1	214700-xx	214700-xx	214600-xx
COVER ASSEMBLY				
4 Self-Tapping Screw	2	210974	210974	210974
5 Housing Cover	1	210252	210252	210252
6 Cover Screw O-Ring	2	211236	211236	211236
NOZZLES				
7 Dual Spreader Nozzle Housing - Black (B)(D)	1	213710	213710	213710
8 Range Nozzle Assembly (A)	1	213700-xx	213700-xx	213700-xx
9A Mid-Range Spreader Nozzle	1	See Diagram Below		
9B Close-in Spreader Nozzle	1	See Diagram Below		
10 Retract Seal	1	210354	210354	210354
15 Stator/Screen Kit	1	210403-01	210403-01	210403-01
-Stator	1	-	-	-
-Poppet	1	-	-	-
-Screen	1	-	-	-
16 Seal-a-Matic Screen Assy (B/BRC Only)	1	-	-	211292
BEARING / RISER-MOTOR ASSEMBLY				
11 Nozzle Housing O-Ring	1	210366	210366	210366
12 Bearing Guide Assy, STD	1	211147	-	-
12 Bearing Guide Assy, LO-FLOW (E)	1	-	211263	211263
13 Bearing Guide O-Ring	1	211242	211242	211242
14 Riser Motor Assembly	1	214700-00	214700-00	214700-00
17 Pop-up Seal (White)	1	210399	210399	210399
18 CASE ASSEMBLY				

- (A) Specify Nozzle Size when ordering. Available in # 28, 32, 36, 40, 44, 48.
- (B) For Non-Potable applications, use standard part and purple snap ring (Part # 211921-04)
- (C) Replacement Internal Assembly - upgrade to Rain Bird 700
- (D) Replacement Dual Spreader Nozzle Housing upgrade to Rain Bird 700 Nozzle Housing.
Requires two (2) 700/751 Nozzle Housing Screws (Part # 214754)
- (E) The LO-FLOW Bearing Guide #211263 may also be used on the 700 Series Electric rotors.
- (F) For Smooth case rotors use Part # 211602

Part #	Description
211562	Spreader Nozzle - Blue
213705	Spreader Nozzle - Blue W/Diffuser
211417	Spreader Nozzle - Black
211452	Spreader Nozzle - Black W/Diffuser
213701	Spreader Nozzle - Green
212291	Spreader Nozzle - Red
213702	Spreader Nozzle - Orange
211593	Spreader Nozzle Plug
213703	White Diffuser Insert - 500/550/700/750/751

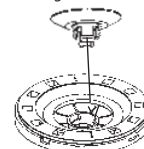
Ref. KITS & Accessories	Qty.	P/N
1 Snap-Cover, Yellow		211921-02
1 Snap-Cover, White		211921-03
1 Snap-Cover, Purple (Non-Potable)		211921-04
Rubber Cover Kit (E/H/S)		(F)212551
- Rubber Cover, Snap Ring	1	
- Snap Ring, Upper	1	
- Rubber Cover, Housing	1	
- Rubber Case Cover (E/H/S)	1	
Rubber Cover Kit (B & BRC)		211355
- Rubber Cover, Snap Ring	1	
- Snap Ring, Upper	1	
- Rubber Cover, Housing	1	
- Rubber Case Ring (B case)	1	
5 Cover, Yardage Marker Blank (Black)		211752-01

Stator / Poppet Configurations - Dual Spreader & Cascade

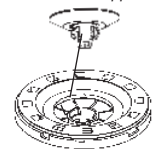
Color	Number	Electric Pressure Setting				Hyd, SAM, B
		psi (bars)				
		60 (4,1)	70 (4,8)	80 (5,5)	100 (6,9)	
White	#28 / 14C	SPC	SPC	SPC	SPC	SPC
Blue	#32 / 16C	SPO	SPO	SPO	SPO	SPO
Yellow	#36 / 18C	SPO	SPO	SPO	SPO	SPO
Orange	#40 / 20C	SNP	SNP	SNP	SNP	SNP
Green	#44 / 22C	SNP	SNP	SNP	SNP	SNP
Black	#48 / 24C	N/R	SNP	SNP	SPR	SNP

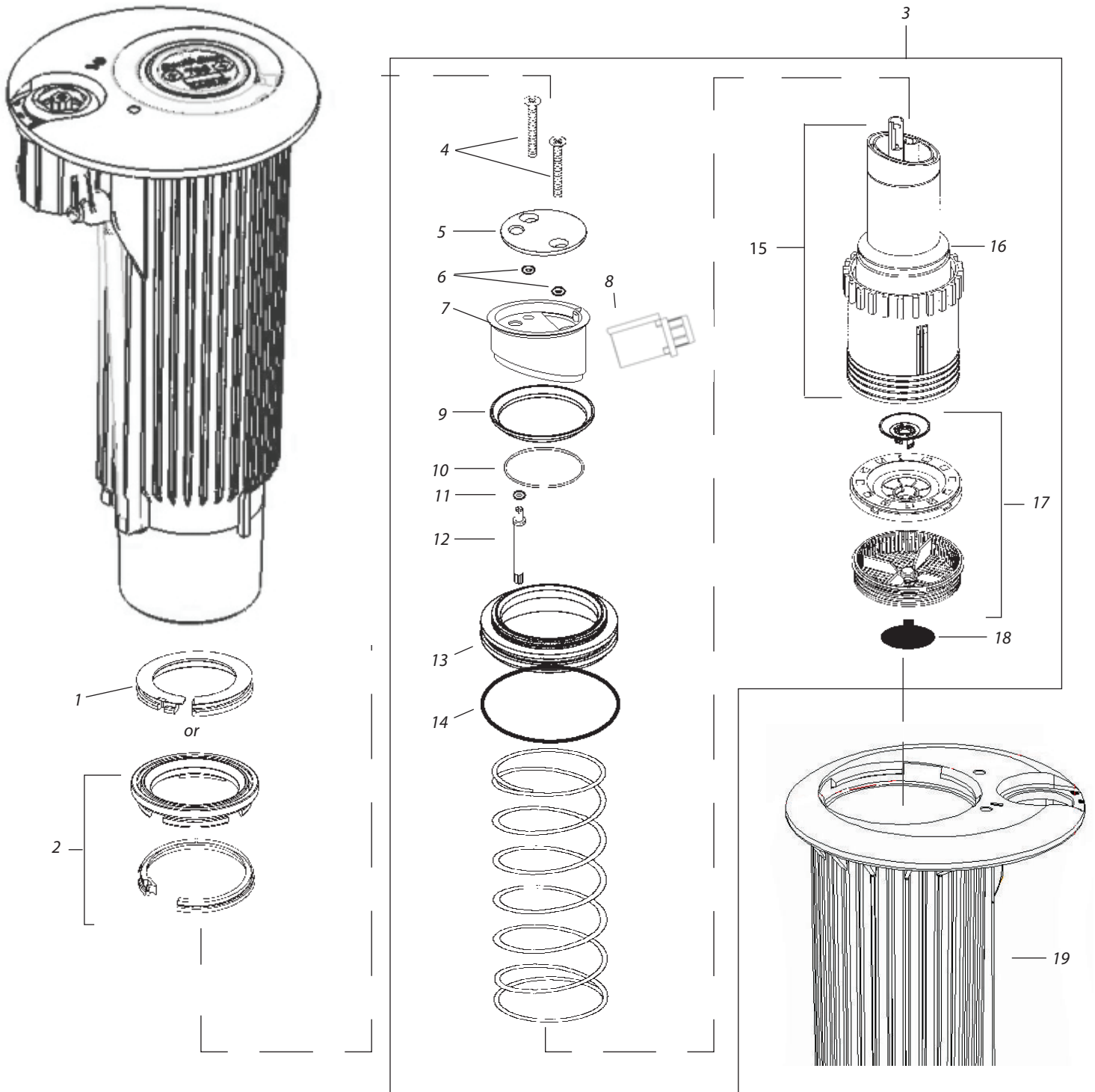
SPC = Stator with Poppet Closed
 SPO = Stator with Poppet Open
 SNP = Stator No Poppet
 SO = Screen Only
 SPR = Spacer and Screen
 N/R = Not a Recommended Pressure and Nozzle Setting

Stator with Poppet Closed
Should be tight when snapped in



Stator with Poppet Open
Should be loose when snapped in



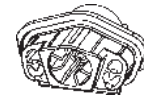


EAGLE 750 INTERNAL ASSEMBLY

Ref.	Part Description	Qty.	750-E	750-S/H	750B
SNAP RINGS					
1	Snap Cover (excluding BRC)	1	211921-01	211921-01	211921-01
2	Rubber Cover Kit	1	212552	212552	211355
INTERNAL ASSEMBLY					
3	Internal Assembly (A)	1	214751-xx	214751-xx	214651-xx
COVER ASSEMBLY					
4	Self-Tapping Screw	2	210974	210974	210974
5	Housing Cover	1	210355	210355	210355
6	Cover Screw O-Ring	2	211236	211236	211236
NOZZLES					
7	Dual-Spreader™ Nozzle Housing(B)(D)	1	211982-01	211982-01	211982-01
8	Range Nozzle Assembly	1	213750-xx	213750-xx	213750-xx
9	Retract Seal	1	210354	210354	210354
17	Stator/Screen Kit	1	210403-01	210403-01	210403-01
	-Stator	1	-	-	-
	-Poppet	1	-	-	-
	-Screen	1	-	-	-
18	Seal-a-Matic™ Screen Assy (B/BRC Only)	1	-	-	211292
BEARING / RISER-MOTOR ASSEMBLY					
10	Nozzle Housing O-Ring	1	210366	210366	210366
11	Arc Adjustment Stem O-Ring	1	211236	211236	211236
12	Arc Adjustment Stem	1	210420	210420	210420
13	Bearing Guide Assy, STD	1	211147	-	-
13	Bearing Guide Assy, LO-FLOW (C)	1	-	211263	211263
14	Bearing Guide O-Ring	1	211242	211242	211242
15	Riser Motor Assembly	1	214751-00	214751-00	214751-00
16	Pop-up Seal (White)	1	210399	210399	210399
19	CASE ASSEMBLY See Catalog No. 464				

- (A) Specify Nozzle Size when ordering. Available in # 28, 32, 36, 40, 44, 48. To replace cascade nozzles (#14-24), double the nozzle number and upgrade to dual spreader nozzles. (eg. for #18 cascade, order #36 dual spreader.)
- (B) For non-potable applications use standard part and purple snap ring (Part # 211921-04)
- (C) The LO-FLOW Bearing Guide #211263 may also be used on the 750 Series Electric rotors.
- (D) For cascade nozzle housing upgrade to Dual-Spreader™ nozzle housing - Part # 211982-01 and Nozzle - part # 213750-xx
- (E) For smooth case rotors use Part # 211602

Ref.	KITS & Accessories	Qty.	P/N
1	Snap-Cover, Yellow		211921-02
1	Snap-Cover, White		211921-03
1	Snap-Cover, Purple (Non-Potable)		211921-04
Rubber Cover Kit (E/H/S)			(E)212551
2A	Rubber Cover, Snap Ring	1	
2B	Snap Ring, Upper	1	
5	Rubber Cover, Housing	1	
-	Rubber Case Cover (E/H/S)	1	
Rubber Cover Kit (B & BRC)			211355
2A	Rubber Cover, Snap Ring	1	
2B	Snap Ring, Upper	1	
5	Rubber Cover, Housing	1	
-	Rubber Case Ring (B case)	1	
5	Cover, Yardage Marker Blank (White)		211996-03
5	Cover, Yardage Marker Blank (Black)		211996-01
Diffuser Screw Kit, Dual Spreader (B) (Without Nozzle)			212295
7	Nozzle Housing, Drilled & Tapped	1	
-	Diffuser Screw (not shown)	1	
5	Housing Cover (Notched)	1	
9	Retract Seal	1	
6	Cover Screw O-Ring	2	
EAGLE'S TAIL KITS			
-	Dual-Spreader (without nozzle) (Black)		212287
7	Housing, Nozzle, Drilled in back	1	
-	Close-in Spreader Nozzle, 700	1	211452
5	Housing Cover	1	
9	Retract Seal	1	
6	Cover Screw O-Ring	2	
-	EAGLE's Tail Instruction Sheet	1	

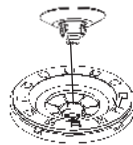


750 Dual-Spreader Nozzle



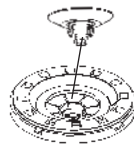
750 Cascade Nozzle (obsolete)

Stator with Poppet Closed



Should be tight when snapped in

Stator with Poppet Open



Should be loose when snapped in

Stator / Poppet Configurations - Dual-Spreader & Cascade

Color	Number	Electric Pressure Setting psi (bars)				Hyd, SAM, B
		60 (4,1)	70 (4,8)	80 (5,5)	100 (6,9)	
White	28/14C	SPC	SPC	SPC	SPC	SPC
Blue	32/16C	SPO	SPO	SPO	SPO	SPO
Yellow	36/18C	SPO	SPO	SPO	SPO	SPO
Orange	40/20C	SNP	SNP	SNP	SNP	SNP
Green	44/22C	SNP	SNP	SNP	SNP	SNP
Black	24C	SNP	SPR	SPR	SPR	SNP
Black	#48	SPR	SPR	SPR	SPR	SNP

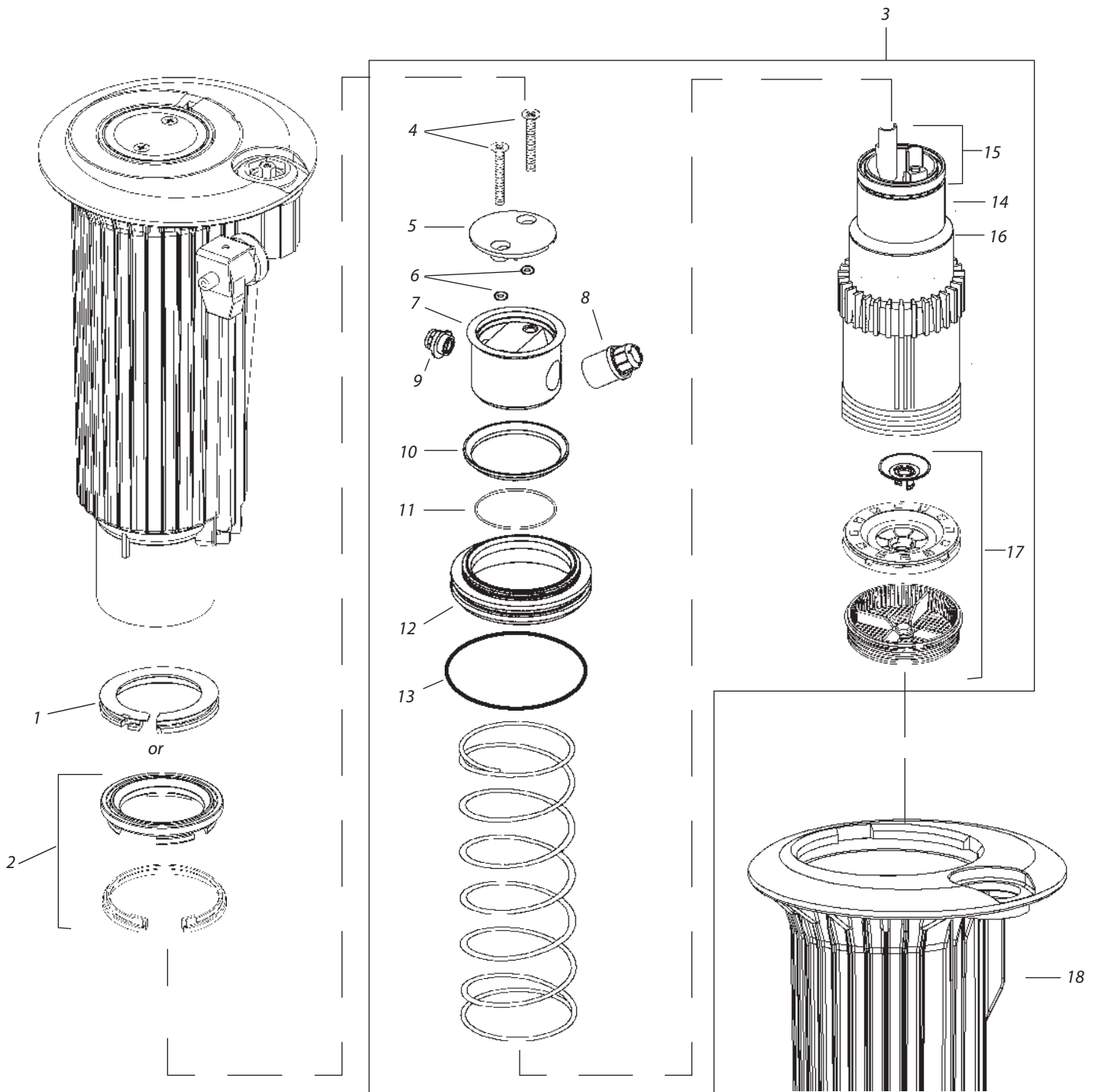
SPC = Stator with Poppet Closed

SPR = Spacer and Screen

SPO = Stator with Poppet Open

N/R=Not a Recommended Pressure

SNP = Stator No Poppet and Nozzle Setting



EAGLE 900 INTERNAL ASSEMBLY

Ref.	Part Description	Qty.	900-E	900-S/H
SNAP RINGS				
1	Snap Cover (all models)	1	211934-01	211934-01
2	Rubber Cover kit	1	212553	212553
INTERNAL ASSEMBLY				
3	Internal Assembly (A)(B)	1	210786-xx	210786-xx
COVER ASSEMBLY				
4	Self-Tapping Screw	2	210975	210975
5	Housing Cover	1	211966	211966
6	Screw O-Ring	2	209778	209778
NOZZLES				
7	Nozzle Housing - Black (B)(C)	1	211967	211967
8	Range Nozzle Assembly	1	213900-xx	213900-xx
9	Spreader Nozzle Assembly	1	See chart Below	
10	Retract Seal	1	210231	210231
17	Stator/Screen Kit	1	210232	210232
-	Poppet	1	-	-
-	Screen	1	-	-
-	Stator	1	-	-
BEARING / RISER-MOTOR ASSEMBLY				
11	Nozzle Housing O-Ring	1	210168	210168
12	Bearing Guide Assy, STD	1	211460	-
12	Bearing Guide Assy, LO-FLOW (D)	1	-	211461
13	Bearing Guide O-Ring	1	212383	212383
14	Riser Motor Assembly	1	209836	209836
15	Nozzle Base Replacement Kit w/seals 1	1	212060	212060
16	Pop-up Seal (White)	1	209781	209781
18	CASE ASSEMBLY See Catalog No. 466			

Ref.	KITS & Accessories	Qty.	P/N
1	Snap-Cover, Yellow		211934-02
1	Snap-Cover, White		211934-03
1	Snap-Cover, Purple (Non-Potable)		211934-04
Rubber Cover Kit			(E)212553
-	Snap Ring Rubber Cover	1	
-	Upper Snap Ring	1	
-	Housing Rubber Cover	1	
-	Rubber Case Cover	1	
5	Cover, Yardage Marker Blank (White)		212284-03
	Cover, Yardage Marker Blank (Black)		212284-01
Diffuser Screw Kit			(B)212144
(For high performance nozzles 44-64)			
7	Nozzle Housing, Drilled & Tapped	1	
-	Diffuser Screw, installed	1	
5	Cover, (Notched)	1	
9	Spreader Nozzle Assembly	1	
10	Retract Seal	1	
6	Screw O-Ring	2	

- (A) Specify Nozzle Size when ordering. Available in High Performance nozzle sizes # 44, 48, 52, 56, 60, 64.
- (B) For Non-Potable applications, use standard part and purple snap ring - Part # 211934-04
- (C) The Nozzle Housing was changed 8/99 to accomodate the new Spreader for the High Performance nozzles. All 900 rotors and Nozzle/Housings manufactured after 8/99 have the new Nozzle Housing. Upgrade to High Performance Nozzle.
- (D) The LO-FLOW Bearing Guide #211461 may also be used on the 900 Series Electric rotor.
- (E) For smooth case rotors use Part # 211598

Spreader Nozzles	
If Range Nozzle is:	then use:
44 - 48	Part No.: 213904 (Blue)
52 - 64	Part No.: 213905 (Black)

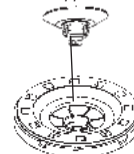
Stator / Poppet Configurations - High Performance and Standard Nozzles

Color	Number	Electric Pressure Setting				Hyd, SAM, B
		psi (bars)				
		60 (4,1)	70 (4,8)	80 (5,5)	100 (6,9)	
Blue	#44	SPC	SPC	SPC	SPC	SPC
Yellow	#48	SPC	SPC	SPC	SPO	SPC
Orange	#52	SPC	SPO	SPO	SPO	SPO
Green	#56	N/R	SNP	SNP	SNP	SNP
Black	#60	N/R	SNP	SPR	SPR	SPR
Red	#64	N/R	N/R	SPR	SPR	SPR
White	#18C	SPC	SPC	SPC	SPC	SPC
Gray	#20C	SPC	SPC	SPC	SPC	SPC
Blue	#22C	SPC	SPC	SPC	SPC	SPC
Yellow	#24C	SPC	SPC	SPO	SPO	SPO
Orange	#26	SPO	SPO	SPO	SPO	SPO
Green	#28	N/R	SNP	SPR	SPR	SPR
Black	#30	N/R	SNP	SPR	SPR	SPR
Brown	#32	N/R	N/R	SPR	SPR	SPR

SPC = Stator with Poppet Closed
SPO = Stator with Poppet Open
SNP = Stator No Poppet

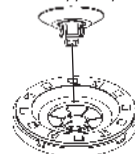
SPR = Spacer
N/R = Not a Recommended Pressure and Nozzle Setting

Stator with Poppet Closed

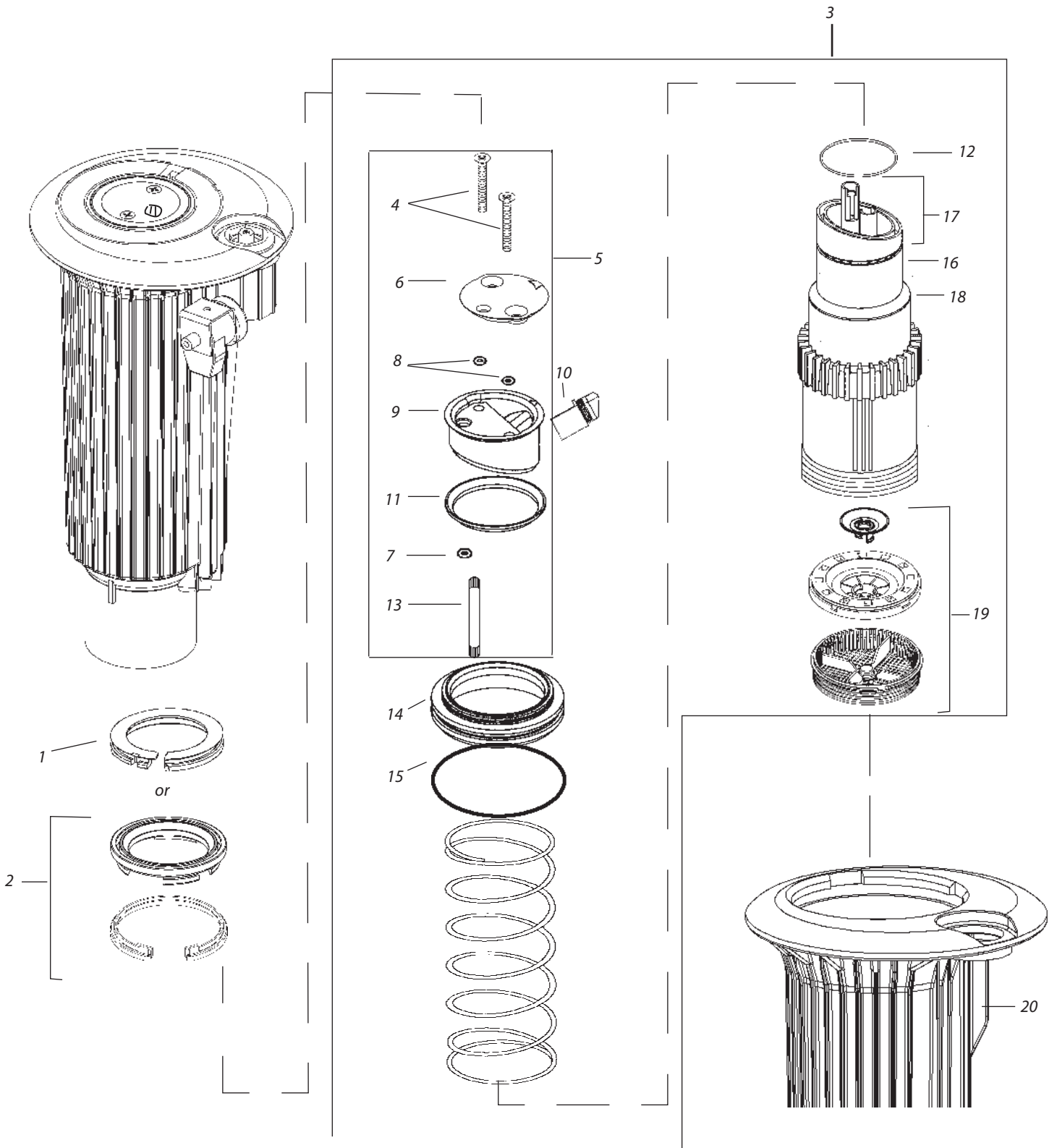


Should be tight when snapped in

Stator with Poppet Open



Should be loose when snapped in



EAGLE 950 INTERNAL ASSEMBLY

Ref.	Part Description	Qty.	950-F	950-S/H
SNAP RINGS				
1	Snap Cover (all models)	1	211934-01	211934-01
2	Rubber Cover Kit	1	212554	212554
INTERNAL ASSEMBLY				
3	Internal Assembly (B,C)	1	211442-xx	211442-xx
COVER ASSEMBLY				
4	Self-Tapping Screw	2	210975	210975
5	One Piece Arc Adjust Conversion Kit(A)(B)	1	212893	212893
6	Housing Cover (on & after 11/06) (A)	1	212820-01	212820-01
8	Screw O-ring	2	209778	209778
NOZZLES				
9	Nozzle Housing-Black(on & after 11/06)(A)(B)	1	212822	212822
10	Range Nozzle Assembly (C)	1	213950-xx	213950-xx
11	Retract Seal	1	210231	210231
19	Stator/Screen Kit	1	210232	210232
	- Poppet		-	-
	- Stator		-	-
	- Screen		-	-
BEARING / RISER-MOTOR ASSEMBLY				
12	Nozzle Housing O-Ring	1	210436	210436
13	Adjustment Stem (on & after 11/06) (A)	1	-	-
14	Bearing Guide Assy, STD	1	211460	-
14	Bearing Guide Assy, LO-FLOW (D)	1	-	211461
15	Bearing Guide O-Ring	1	212383	212383
16	Riser Motor Assembly	1	210439	210439
17	Nozzle Base Replacement Kit w/seals	1	212061	212061
18	Pop-up Seal (White)	1	209781	209781
20 CASE ASSEMBLY				
(A)	One Piece Arc Adjust incorporated 11/06. Prior to 11/06. Upgrade to the One Piece Arc Adjust Kit. Part # 212893.			
(B)	For non-potable applications, use standard part and purple snap ring - Part # 211934-04.			
(C)	Specify Nozzle Size when ordering. Available in # 18, 20, 22, 24,26,28,30,32			
(D)	The LO-FLOW Bearing Guide #211461 may also be used on the 950 Series Electric Rotor.			
(E)	For smooth case rotors use part # 211599.			

Ref.	KITS & Accessories	Qty.	P/N
1	Snap-Cover, Yellow		211934-02
1	Snap-Cover, White		211934-03
1	Snap-Cover, Purple (Non-Potable)		211934-04
Rubber Cover Kit			(E)212554
-	Snap Ring Rubber cover	1	
-	Upper snap ring	1	
-	Housing Rubber cover	1	
-	Rubber Case Cover	1	
5	Cover, Yardage Marker Blank (White) (A)		212141-03
5	Cover, Yardage Marker Blank (Black) (A)		212141-01
Diffuser Screw Kit			(B)212145
9	Nozzle Housing, Drilled & Tapped	1	
-	Diffuser Screws	2	
5	Cover, Notched	1	
11	Retract Seal	1	
8	Screw O-Ring	2	
EAGLE's TAIL KIT (Black)			(B)211900
9	Housing, Nozzle, Drilled in back	1	
-	Close-in Spreader Nozzle, 700	1	211452
5	Housing cover	1	
11	Retract Seal	1	
8	Screw O-Ring	2	
	EAGLE's Tail Instruction Sheet	1	

Stator / Poppet Configurations - Cascade & Non-Cascade

Color	Number	Electric Pressure Setting psi (bars)				Hyd, SAM
		60 (4,1)	70 (4,8)	80 (5,5)	100 (6,9)	
White	#18C	SPC	SPC	SPC	SPC	SPC
Gray	#20C	SPC	SPC	SPC	SPC	SPC
Blue	#22C	SPC	SPC	SPC	SPC	SPC
Yellow	#24C	SPC	SPC	SPO	SPO	SPO
Orange	#26	SPO	SPO	SPO	SPO	SPO
Green	#28	N/R	SNP	SO	SO	SPR
Black	#30	N/R	SNP	SO	SO	SPR
Brown	#32	N/R	N/R	SO	SO	SPR

SPC = Stator with Poppet Closed

SPR = Spacer and Screen

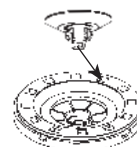
SPO = Stator with Poppet Open

SO = Screen Only

SNP = Stator No Poppet

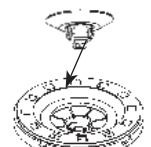
N/R=Not a Recommended Pressure and Nozzle Setting

Stator with Poppet Closed

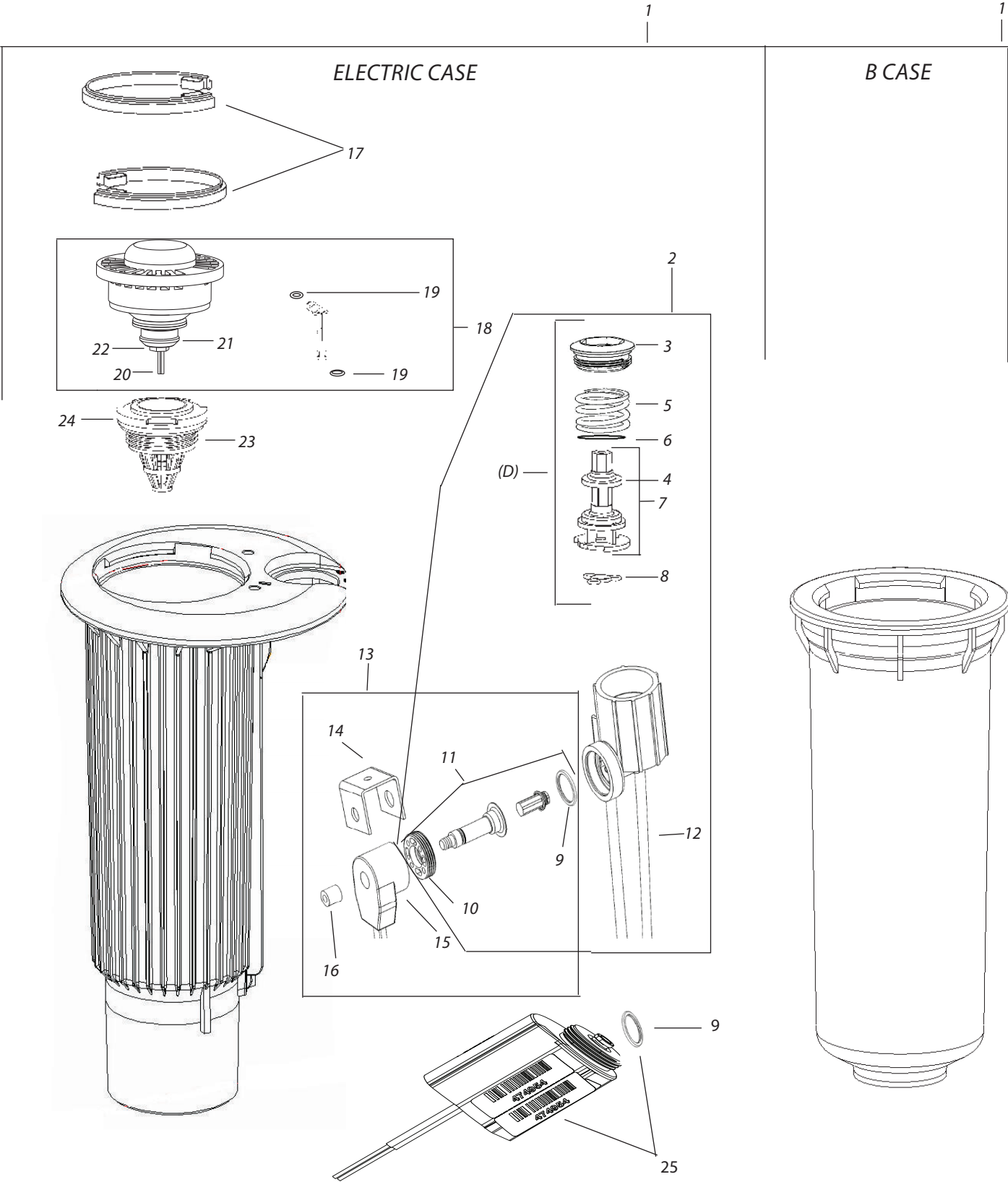


Should be tight when snapped in

Stator with Poppet Open



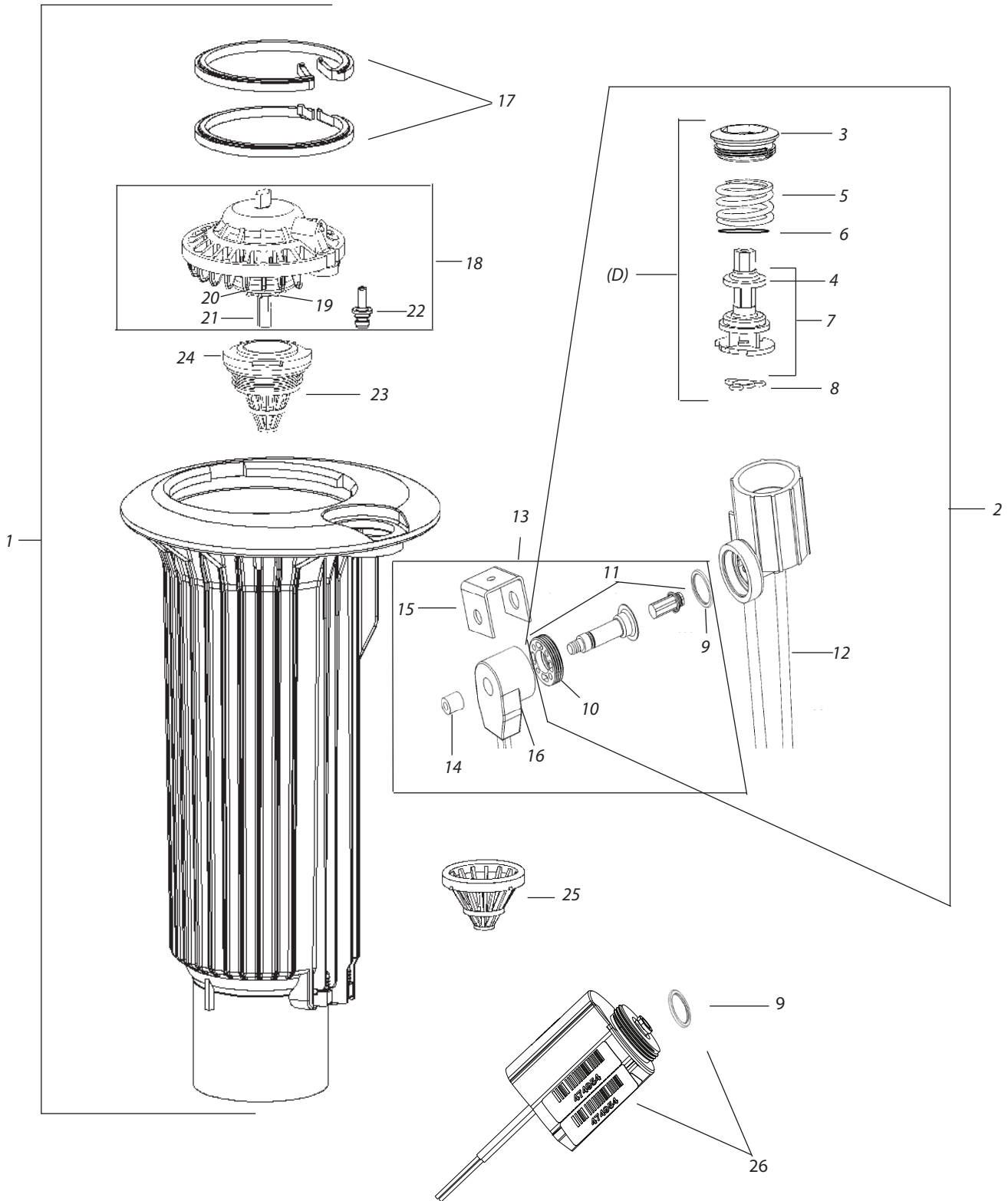
Should be loose when snapped in



EAGLE 500 / 550 / 700 / 750 SERIES

Ref. Part Description	Qty.	Electric	SAM/Hydraulic	B case
CASE ASSEMBLIES				
EAGLE 700 / 750				
1 Case Assembly (NPT)	1	(A)	(A)	211489-01
- Case Assembly (BSP)	1	(B) 212462-xx	212464	211489-02
- Case Assembly (ACME)	1	(B) 212466-xx	212468	211489-03
EAGLE 500 / 550				
1 Case Assembly (NPT)	1	(A)		211489-01
- Case Assembly (BSP)	1	(B,C)	212464	211489-02
- Case Assembly (ACME)	1	(B,C)	212468	211489-03
2 PRS/Selector Housing Assy (>6/95)	1	211418	-	-
3 Selector Cap	1	(D)	-	-
4 Stem Cover O-Ring	1	(D)	-	-
5 Compression Spring	1	(D)	-	-
6 Selector Spring Washer	1	(D)	-	-
7 PRS Cartridge, Upper Stem (Black)	1	(D)	-	-
8 Selector Seal (Green)	1	(D,F) 212244	-	-
9 Solenoid Base O-Ring	1	211237	-	-
10 Base Nut	1	602606	-	-
11 Plunger Core Tube Assy	1	(G)212972-01S	-	-
12 Tubing	2	(E)211607	(E)211607	-
13 Solenoid Assy	1	206920-01	-	-
14 U-Frame	1	212124S	-	-
15 Encapsulated Coil	1	602118	-	-
16 Solenoid Retainer	1	627167	-	-
17 Lower Snap Ring	2	210470	210470	-
18 Valve Assembly (700 / 750 Series)	1	211468	212322	-
18 Valve Assembly (500 / 550 Series)	1	212089S	212322	-
19 Probe O-Ring	2	211238	211238	-
20 Universal Filter	1	206092-02	-	-
21 Inlet Rubber Seal	1	212328S	212221	-
22 Seal Nut	1	211174	-	-
23 Top-Serviceable Rock Screen (TSRS) (>4/98) (White)	1	211714-01	211714-01	-
24 O-Ring for TSRS (Yellow)	1	210366	210366	-
25 ICM Module Assembly	1	214010	-	-
9 Solenoid Base O-Ring	1	211237	-	-
KITS				
- Tubing Repair Kit (E)	1	211607	-	-
- Quick Connects for Tube Cuts	1	212159	212159	-
- Rubber Cover Kit (B case Only)	1	-	-	211355
- Rubber Cover Kit (500/550/700/750) - Smooth Case Rotor	1	211602	211602	-
- Rubber Cover Kit (500/550/700/750) - Ribbed Case Rotor	1	212551	212551	-
TOOLS - For use on 500/550/700/750 Rotors				
- Selector Service Tool Key (Orange Tool)	1	B41720	-	-
- 7" Selector Valve Key	1	D02215	-	-
- 18" Selector Valve Key	1	D02221	-	-
- Snap Ring Pliers	1	D02236	D02236	-
- Valve Insertion Tool	1	B41710	B41710	-
- Installation Socket for TSRS	1	D02237	D02237	-
- Universal Hose Adaptor	1	D05205	D05205	-

- (A) 1 1/4" NPT cases not available. Upgrade to ACME case w/NPT to ACME adaptor (212947S).
- (B) For Electric Case Assemblies specify pressure setting when ordering. -02 = 70 psi (4,8 bars), -03 = 80 psi (5,5 bars). Pressure settings are identified as follows: 70PSI-Blue, 80PSI-White
- (C) Use EAGLE 700/750 case assembly and replace valve with 500/550 valve assembly (212089S)
- (D) Included in PRS/Selector Repair Kit: Pre 4/01 use # 213366 (includes rust seal.), Post 4/01 use #212150 (includes green seal).
- (E) Tubing Repair Kit includes tubes, ferrules and metal barbs.
- (F) Selector Seal, Rust (<4/01) #211663
- (G) For salt water Plunger Core Tube Assy - use Part # 212732

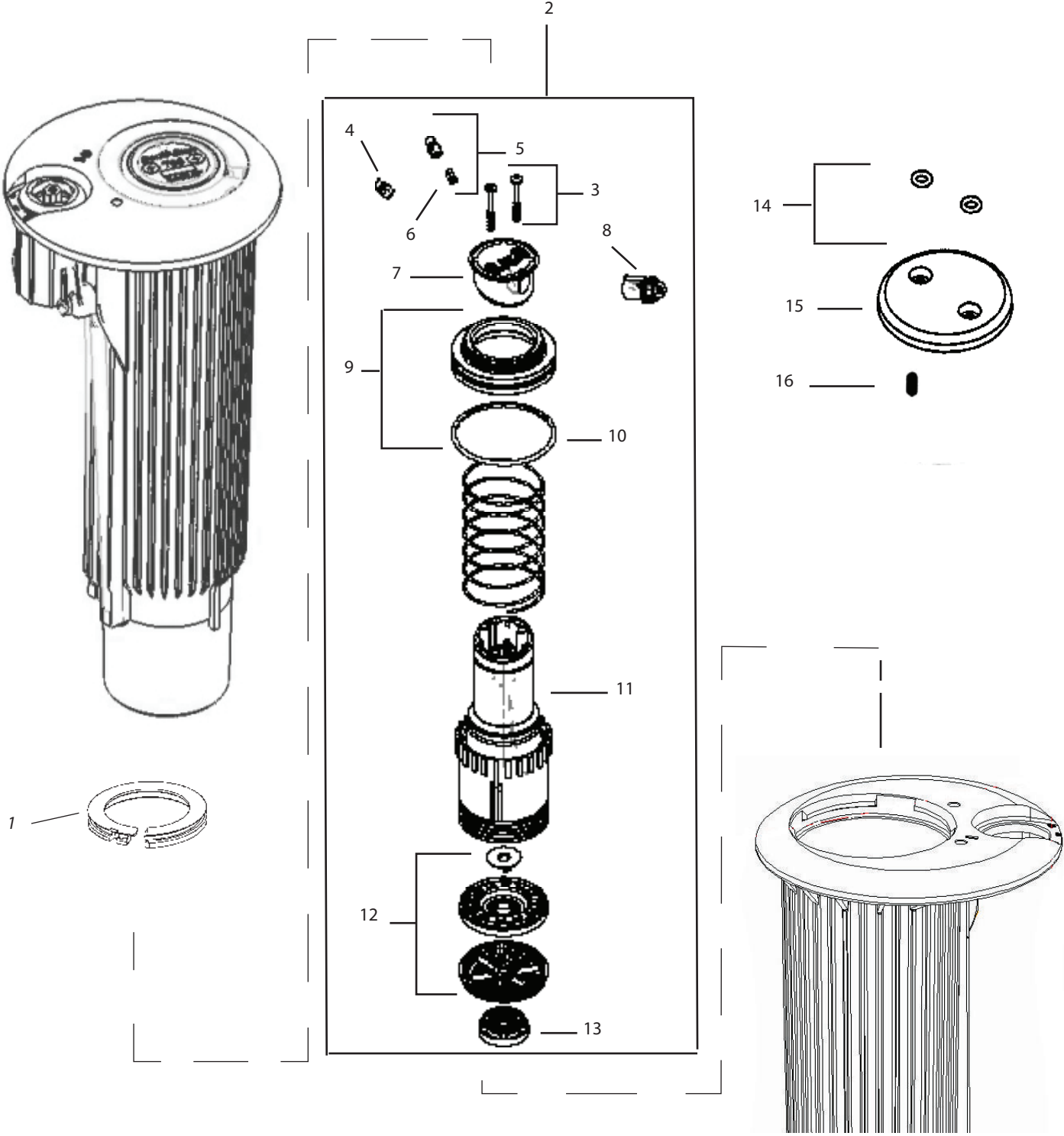


Note: Part numbers enclosed in brackets () are not available individually, but may be sold in assemblies or kits.

EAGLE 900 / 950 / 1100 / 1150 / 115-E SERIES

Ref.	Part Description	Qty.	Electric	SAM/Hydraulic
CASE ASSEMBLIES				
1	Case Assembly (NPT)	1	(A) 212469-03	(B)
1	Case Assembly (BSP)	1	(C) 212472-xx	-
1	Case Assembly (ACME)	1	(C) 212475-xx	212477
2	PRS/Selector Housing Assy (>6/95)	1	211418	-
3	Selector cap	1	(D)	-
4	Stem Cover O-Ring	1	(D)	-
5	Compression Spring	1	(D)	-
6	Selector Washer	1	(D)	-
7	PRS Cartridge	1	(D)	-
8	Selector Seal (Green)	1	(D)(F) 212244	-
9	Solenoid Base O-Ring	1	211237	-
10	Base Nut	1	602606	-
11	Plunger Core Tube Assy	1	(G)212972-01S	-
12	Tubing	2	(E)211607	(E)211607
13	Solenoid Assembly Kit	1	206920-01	-
14	Solenoid Retainer	1	627167	-
15	Solenoid U-Frame	1	212124S	-
16	Encapsulated Coil	1	602118	-
17	Lower Snap Ring (White)	2	208396	208396
18	HPDV Valve Assembly	1	211266	212323
19	Seal Nut (White)	1	211174	-
20	Rubber Inlet Seal	1	211197	212220S
21	Universal Filter	1	206092-02	-
22	Probe & O-ring Assembly (Grey)	1	207402-01	207402-01
-	Probe O-Ring (Yellow)	1	211238	211238
23	Top-Serviceable Rock Screen (>9/98)	1	211714-02	211714-02
24	Rock Screen O-ring (Grey)	1	210366	210366
25	Inlet Screen (<9/98)	1	-	-
26	ICM Module Assembly	1	214010	-
9	Solenoid Base O-Ring	1	211237	-
KITS				
-	Tubing Repair Kit (E)	1	211607	-
-	Quick Connect for Tube Cuts	1	212159	212159
-	Rubber Cover Kit 900 - Smooth Case	1	211598	211598
-	Rubber Cover Kit 900 - Ribbed Case	1	211553	211553
-	Rubber Cover Kit 950 - Smooth Case	1	211599	211599
-	Rubber Cover Kit 950 - Ribbed Case	1	212554	212554
TOOLS - For use on 900/950/1100/1150/115E Rotors				
-	Selector Service Tool Key (Orange Toll)	1	B41720	-
-	7" Selector Valve Key	1	D02215	-
-	18" Selector Valve Key	1	D02221	-
-	Snap Ring Pliers	1	D02203	D02203
-	Valve Insertion Tool	1	B41700	B41700
-	Installation Socket for TSRS	1	D02237	D02237
-	Universal Hose Adapter	1	D05205	D05205

- (A) Only available in 80psi (5,5bars)
- (B) 1 1/2" NPT Case not available. Upgrade to ACME case w/NPT to ACME adaptor - use part# 212948S
- (C) For Electric Case Assemblies specify pressure setting when ordering. -02 corresponds to 70psi (4,8bars); -03 = 80 psi (5,5 bars); -04 = ~100psi (~6.9bars).
- (D) Included in PRS/Selector Repair Kit:
Pre 4/01 use Part # 213366 (includes rust color seal),
Post 4/01 use Part # 212150
- (E) Tubing repair kit includes tubes, ferrules and metal barbs.
- (F) Selector Seal, Rust (<4/01) part # 211663.
- (G) For Salt Water Plunger Core Tube Assy -
Use part # 212732



RAIN BIRD 700 INTERNAL ASSEMBLY

Ref. Part Description	Qty.	700-E	700-S/H	700B
SNAP RINGS				
1 Snap Cover (excluding BRC)	1	211921-01	211921-01	211921-01
INTERNAL ASSEMBLY				
2 Rain Bird 700 Internal Assembly (A) (B)	1	214700-xx	214700-xx	214600-xx
NOZZLE HOUSING AND NOZZLES				
3 700 / 751 Nozzle Housing Screw	2	214754	214754	214754
4 Blue Spreader Nozzle Standard (C)	1	211562	211562	211562
5 Black with White Diffuser Standard (C)	1	211452	211452	211452
6 White Diffuser	1	213703	213703	213703
7 700 Nozzle Housing Less Nozzles	1	213710	213710	213710
8 Range Nozzle and O-ring Assembly (A)	1	213700-xx	213700-xx	213700-xx
BEARING GUIDE / MOTOR ASSEMBLY				
9 Bearing Guide Assembly, Standard	1	211147	-	-
9 Bearing Guide Assembly, Low Flow	1	-	211263	211263
10 Bearing Guide O-ring	1	211242	211242	211242
11 Rain Bird 700 Riser Motor Assembly	1	21470000	21470000	21470000
12 700 / 750 / 751 Stator / Screen Kit	1	21040301	21040301	21040301
13 SAM Screen Kit Block Models	1	211292	211292	211292
KITS AND ACCESSORIES				
1 Snap Cover, Yellow	1	211921-02	211921-02	211921-02
1 Snap Cover, White	1	211921-03	211921-03	211921-03
1 Snap cover, Purple	1	211921-04	211921-04	211921-04
YARDAGE MARKER				
14 O-ring (Cover, Adjust, & Lever)	2	211236	211236	211236
15 Rain Bird 700 Yardage Marker Blank (Black)	1	214756	214756	214756
DIFFUSER SCREW				
16 700 / 751 Diffuser Screw Only	1	214757	214757	214757

(A) Specify Nozzle Size when ordering. Available in # 28, 32, 36, 40, 44, or 48.

(B) For Non-Potable applications, use standard part and purple snap ring (Part # 211921-04)

(C) Optional Spreader Nozzles 213701 (Green), 213702 (Orange), 213705 (Blue w/Diffuser), 212291 (Red), and 211417 (Black)

Stator / Poppet Configurations - Dual Spreader

Color	Number	Electric Pressure Setting psi (bars)				Hyd, SAM, B
		60 (4,1)	70 (4,8)	80 (5,5)	100 (6,9)	
White	#28	SPC	SPC	SPC	SPC	SPC
Blue	#32	SPO	SPO	SPO	SPO	SPO
Yellow	#36	SPO	SPO	SPO	SPO	SPO
Orange	#40	SNP	SNP	SNP	SNP	SNP
Green	#44	SNP	SNP	SNP	SNP	SNP
Black	#48	N/R	SNP	SNP	SPR	SNP

SPC = Stator with Poppet Closed

SO = Screen Only

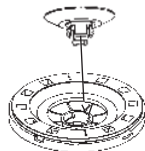
SPO = Stator with Poppet Open

SPR = Spacer and Screen

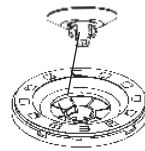
SNP = Stator No Poppet

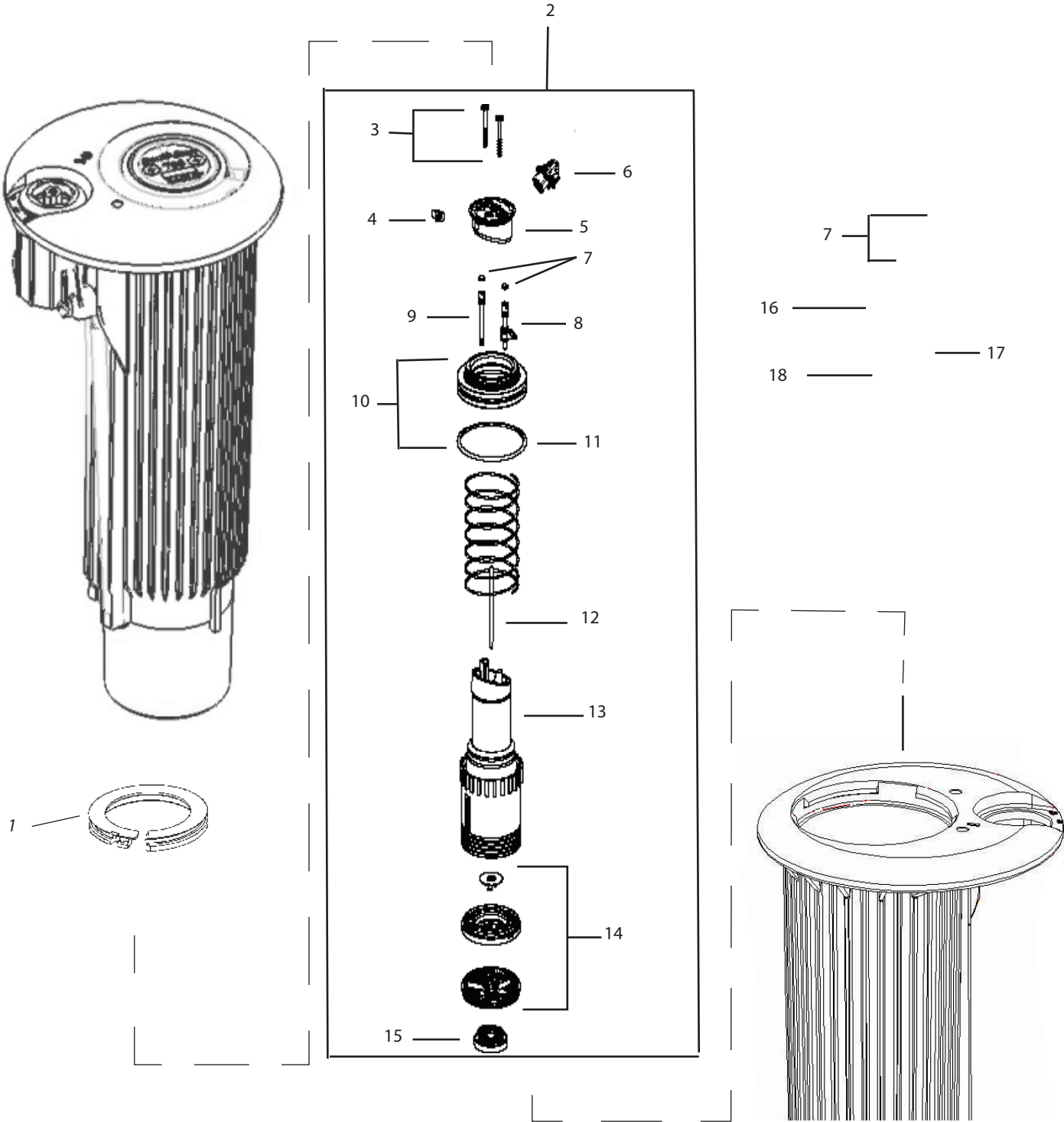
N/R = Not a Recommended Pressure and Nozzle Setting

Stator with Poppet Closed
Should be tight when snapped in



Stator with Poppet Open
Should be loose when snapped in





RAIN BIRD 751 INTERNAL ASSEMBLY

Ref. Part Description	Qty.	700-E	700-S/H	700B
SNAP RINGS				
1 Snap Cover (excluding BRC)	1	211921-01	211921-01	211921-01
INTERNAL ASSEMBLY				
2 Rain Bird 751 Internal Assembly (A) (B)	1	214751-xx	214751-xx	214651-xx
NOZZLE HOUSING AND NOZZLES				
3 700 / 751 Nozzle Housing Screw	2	214754	214754	214754
4 Nozzle plug	1	211593	211593	211593
5 751 Nozzle Housing Less Nozzle	1	213760	213760	213760
6 Standard Range Nozzle and O-Ring Assembly (C)	1	213750-xx	213750-xx	213750-xx
6 Short Throw Range Nozzle and O-Ring Assembly (D)	1	213751-xx	213751-xx	213751-xx
7 O-Ring (Cover, Adjust, & Lever)	2	211236	211236	211236
8 751 FC/PC Arm-Lever Assembly	1	214752	214752	214752
9 Arc Adjust Stem	1	210420	210420	210420
BEARING GUIDE / MOTOR ASSEMBLY				
10 Bearing Guide Assembly, Standard	1	211147	-	-
10 Bearing Guide Assembly, Low Flow	1	-	211263	211263
11 Bearing Guide O-ring	1	211242	211242	211242
12 751 FC-PC Trip Rod	1	214753	214753	214753
13 Rain Bird 751 Riser Motor Assembly	1	21475100	21475100	21475100
14 700/750/751 Stator/Screen Kit	1	21040301	21040301	21040301
15 SAM Screen Kit Block Models	1	211292	211292	211292
KITS AND ACCESSORIES				
1 Snap Cover, Yellow	1	211921-02	211921-02	211921-02
1 Snap Cover, White	1	211921-03	211921-03	211921-03
1 Snap cover, Purple	1	211921-04	211921-04	211921-04
YARDAGE MARKER				
7 O-ring (Cover, Adjust, & Lever)	2	211236	211236	211236
16 Rain Bird 751 Yardage Marker Blank (Black)	1	214755	214755	214755
DIFFUSER SCREW				
17 700 / 751 Diffuser Screw Only	1	214757	214757	214757
SPREADER NOZZLES				
18 Rear Spreader Nozzles	1	(E)	(E)	(E)

- (A) Specify Nozzle Size when ordering. Available in # 20, 22, 28, 32, 36, 40, 44, or 48.
- (B) For Non-Potable applications, use standard part and purple snap ring (Part # 211921-04)
- (C) Specify Nozzle Size (28, 32, 36, 40, 44, or 48)
- (D) Sprcify Nozzle Size (22 or 24)
- (E) Optional Spreader Nozzles 213701 (Green), 213702 (Orange), 213705 (Blue w/Diffuser), 212291 (Red), and 211417 (Black)

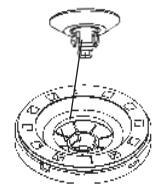
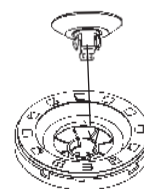
Stator / Poppet Configurations - Dual Spreader

Color	Number	Electric Pressure Setting psi (bars)				Hyd, SAM, B
		60 (4,1)	70 (4,8)	80 (5,5)	100 (6,9)	
Gray	#20	S4	S4	S4	S4	S4
Red	#22	S8	S8	S8	S8	S8
White	#28	SPC	SPC	SPC	SPC	SPC
Blue	#32	SPO	SPO	SPO	SPO	SPO
Yellow	#36	SPO	SPO	SPO	SPO	SPO
Orange	#40	SNP	SNP	SNP	SNP	SNP
Green	#44	SNP	SNP	SNP	SNP	SNP
Black	#48	N/R	SNP	SNP	SPR	SNP

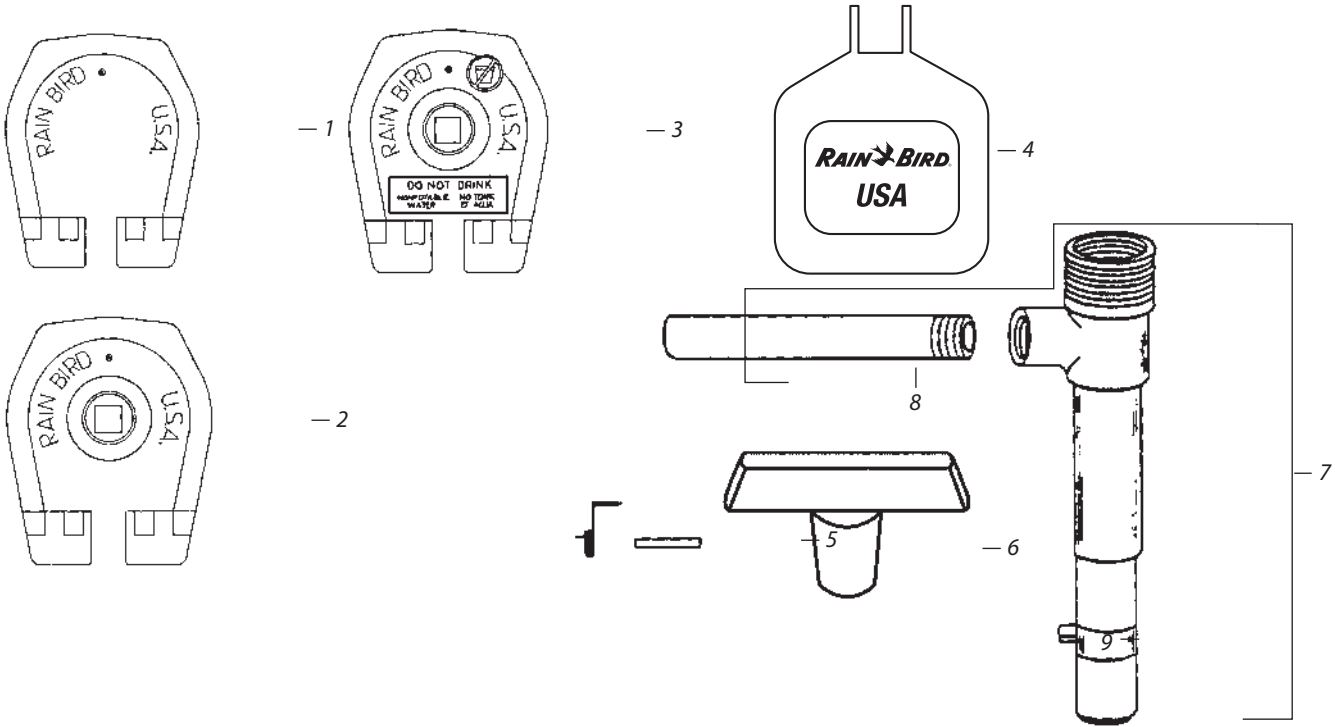
S4 = 4 Hole
S8 = 8 Hole
SPC = Stator with Poppet Closed
SO = Screen Only
SPO = Stator with Poppet Open
SPR = Spacer and Screen
SNP = Stator No Poppet
N/R = Not a Recommended Pressure and Nozzle Setting

Stator with Poppet Closed
Should be tight when snapped in

Stator with Poppet Open
Should be loose when snapped in

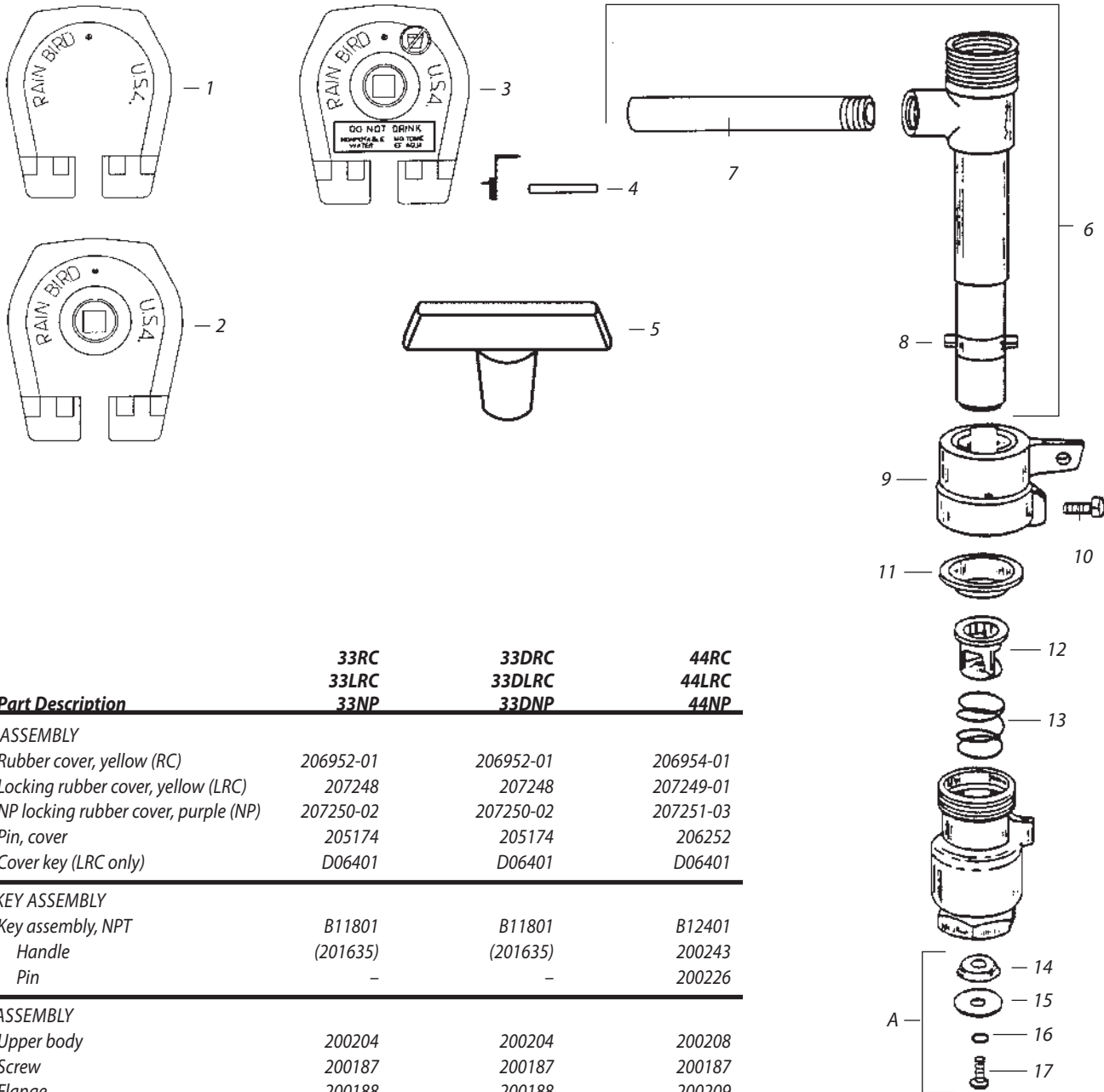


ONE-PIECE QUICK COUPLER VALVES
3, 5, AND 7 SERIES

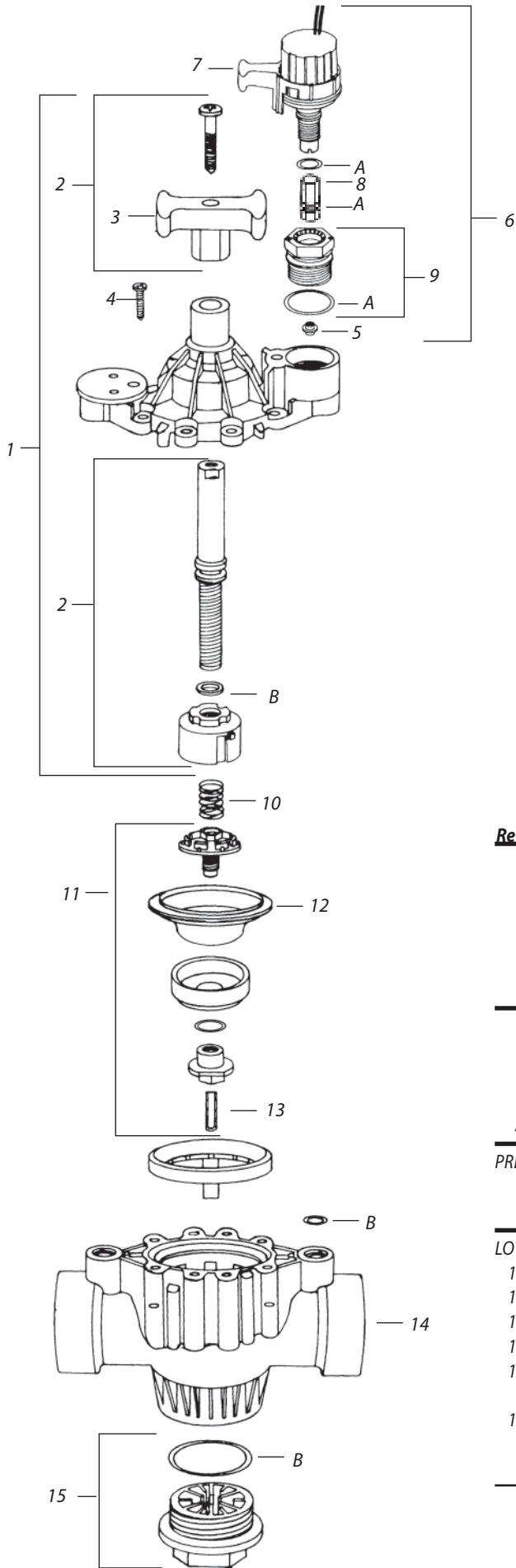


Ref. Part Description	3RC	5RC 5LRC 5NP	7
COVER ASSEMBLY			
1 Rubber cover, yellow (RC)	206952-01	206954-01	-
2 Locking rubber cover, yellow (LRC)	-	207249-02	-
3 NP locking rubber cover, purple (NP)	-	207251-04	-
4 Metal cover with pin	-	-	(211812)
5 Pin, cover	205174	206252	-
6 Cover key (LRC and ACME)	D06401	D06401	-
VALVE KEY ASSEMBLY			
7 Key assembly, NPT	B11801	B13301	B14501
- Key assembly, BSP	-	B13401	B14700
8 Handle	-	200243	200243
9 Pin	205174	200226	200275
VALVE ASSEMBLY			
10 Cage	200503	201612	200288
11 Spring	200502	200232	200265
12 Gasket	200504	200278	200287
13 Body, NPT	-	-	-
- Body, BSP	-	-	-
14 Rubber disc (Buna-N)	(200192)	(200213)	(200251)
15 Retainer	(200193)	(200214)	(200252)
16 Washer	(200194)	(200215)	(200215)
17 Screw	(200195)	(205806)	(205806)
A Repair kit	204146	203747	203749
3 series includes 10 and 11			

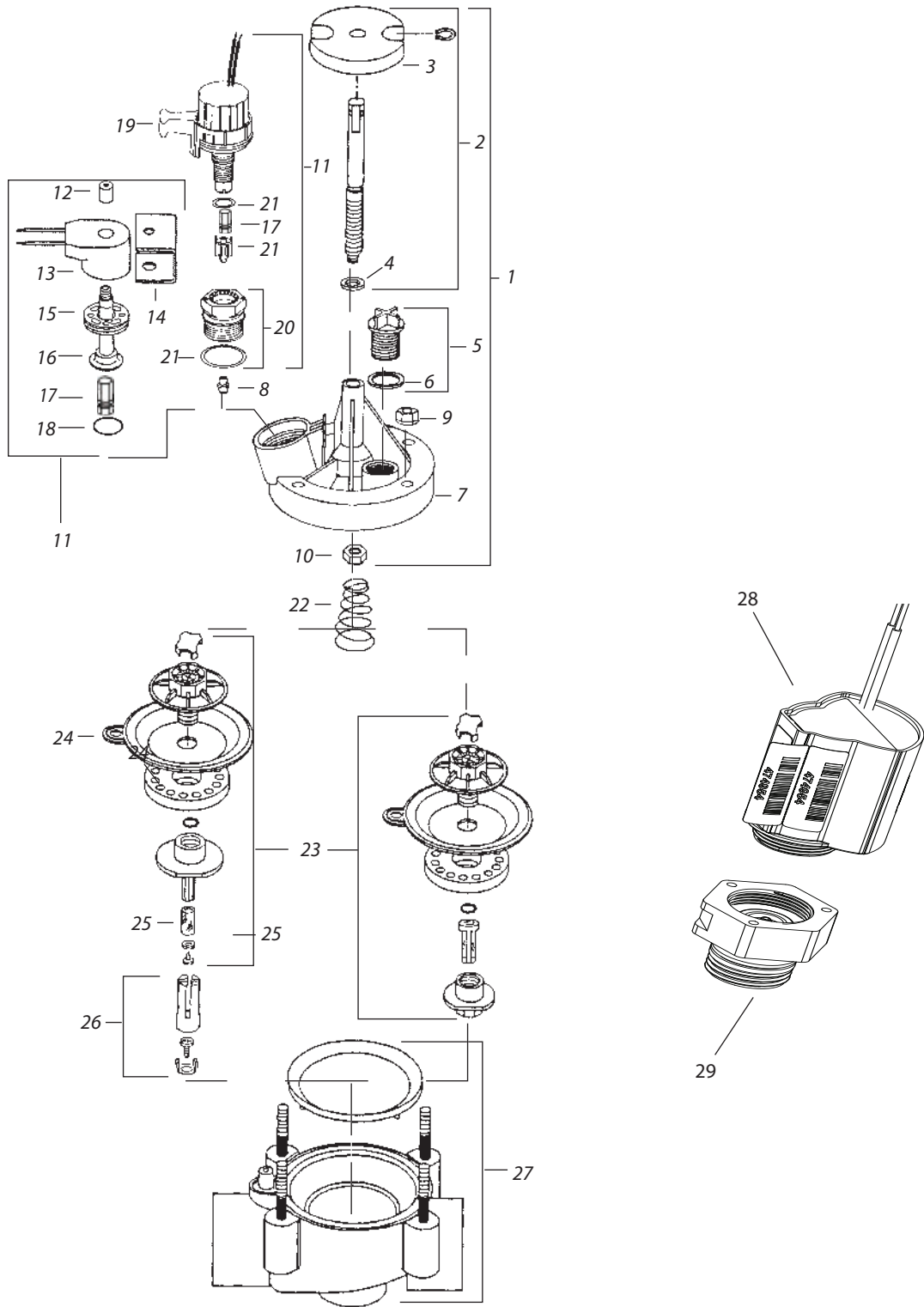
TWO-PIECE QUICK COUPLER VALVES
33 AND 44 SERIES



Ref	Part Description	33RC 33LRC 33NP	33DRC 33DLRC 33DNP	44RC 44LRC 44NP
COVER ASSEMBLY				
1	Rubber cover, yellow (RC)	206952-01	206952-01	206954-01
2	Locking rubber cover, yellow (LRC)	207248	207248	207249-01
3	NP locking rubber cover, purple (NP)	207250-02	207250-02	207251-03
4	Pin, cover	205174	205174	206252
5	Cover key (LRC only)	D06401	D06401	D06401
VALVE KEY ASSEMBLY				
6	Key assembly, NPT	B11801	B11801	B12401
7	Handle	(201635)	(201635)	200243
8	Pin	-	-	200226
VALVE ASSEMBLY				
9	Upper body	200204	200204	200208
10	Screw	200187	200187	200187
11	Flange	200188	200188	200209
12	Cage	200503	200503	200210
13	Spring	200502	200502	200211
14	Rubber disc (Buna-N)	200192	200192	(200213)
15	Retainer	200193	200193	(200214)
16	Washer	200194	200194	(200215)
17	Screw	200195	200195	(205806)
A	Repair kit	204146	204146	203747
(33 series includes 12 and 13)				

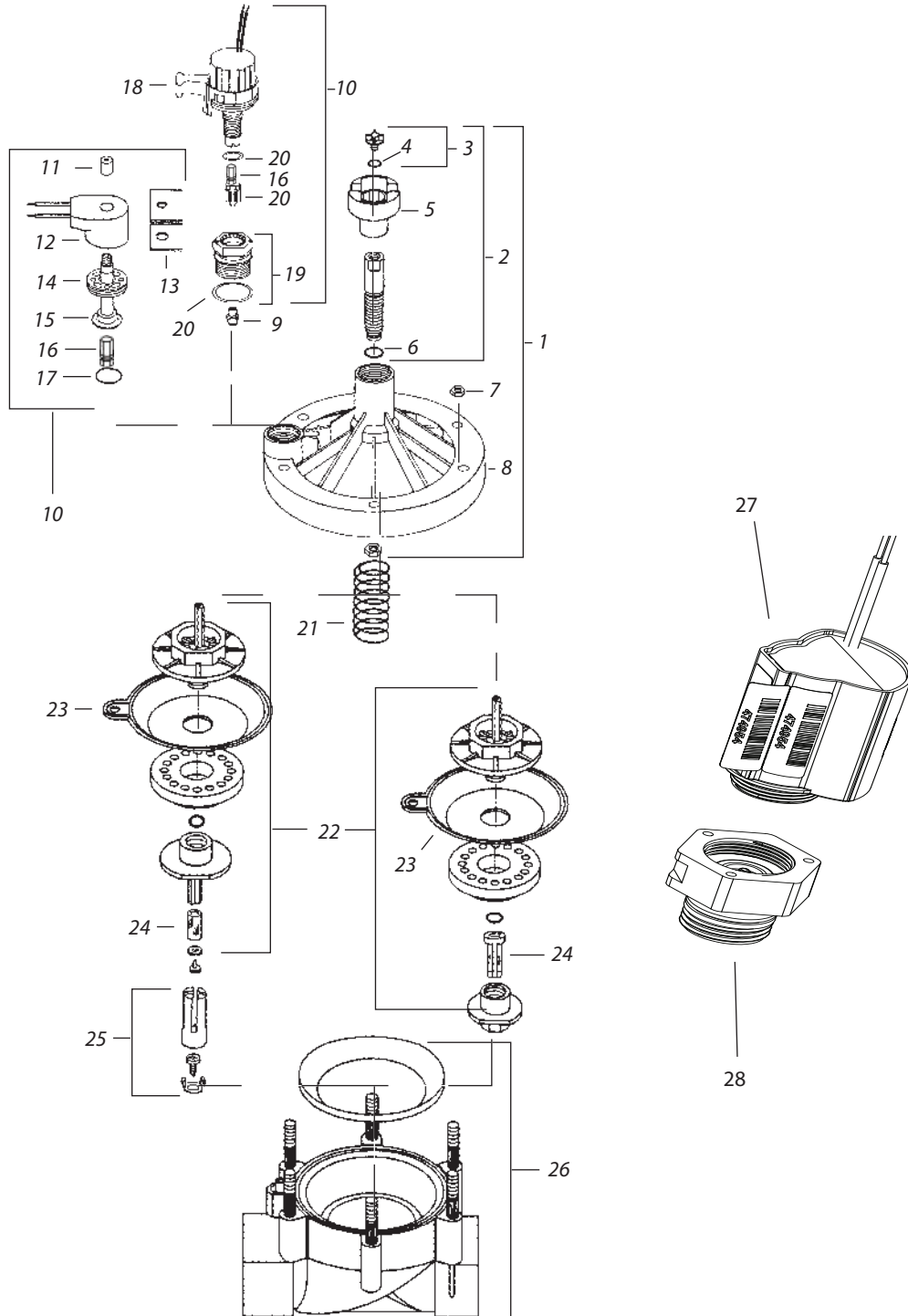


Ref.	Part Description	100PGA	150PGA	200PGA
1	BONNET ASSEMBLY	210858	210454	210866
2	Flow control assembly	210859	210455	210867
3	Handle, flow control	208940	208940	210294
-	NP Handle (sold separately)	231234	231234	231236
4	Screws (1":6, 1 1/2":8, 2":10 screws)(6)	210295	(8) 208860	(10) 209054
5	Solenoid seal	208629	208629	208629
6	SOLENOID ASSEMBLY	209532-02	209532-02	209532-02
7	Handle, solenoid	(209943)	(209943)	(209943)
8	Plunger/spring assembly	629417	629417	629417
9	Adapter assembly	231986	231986	231986
A	O-ring kit, with retainer	210463	210463	210463
PRESSURE REGULATOR PRS-D				
-	PRS-Dial	B33135	B33135	B33135
-	Cartridge assembly	(B33136)	(B33136)	(B33136)
LOWER ASSEMBLY				
10	Diaphragm spring	202542	210076	203016
11	Diaphragm assembly	209792	209675	209005
12	Diaphragm	(209659)	(208901)	(209010)
13	Screen, Filter	206092-02	206092-02	206092-02
14	Body, NPT	(210193-01)	(210117-01)	(210194-01)
-	Body, BSP	(210193-02)	(210117-02)	(210194-02)
15	Plug assembly, NPT	210860-01	210457-01	210868-01
-	Plug assembly, BSP	210860-02	210457-02	210868-02
B	Seal kit, lower assembly	210861	210456	210869



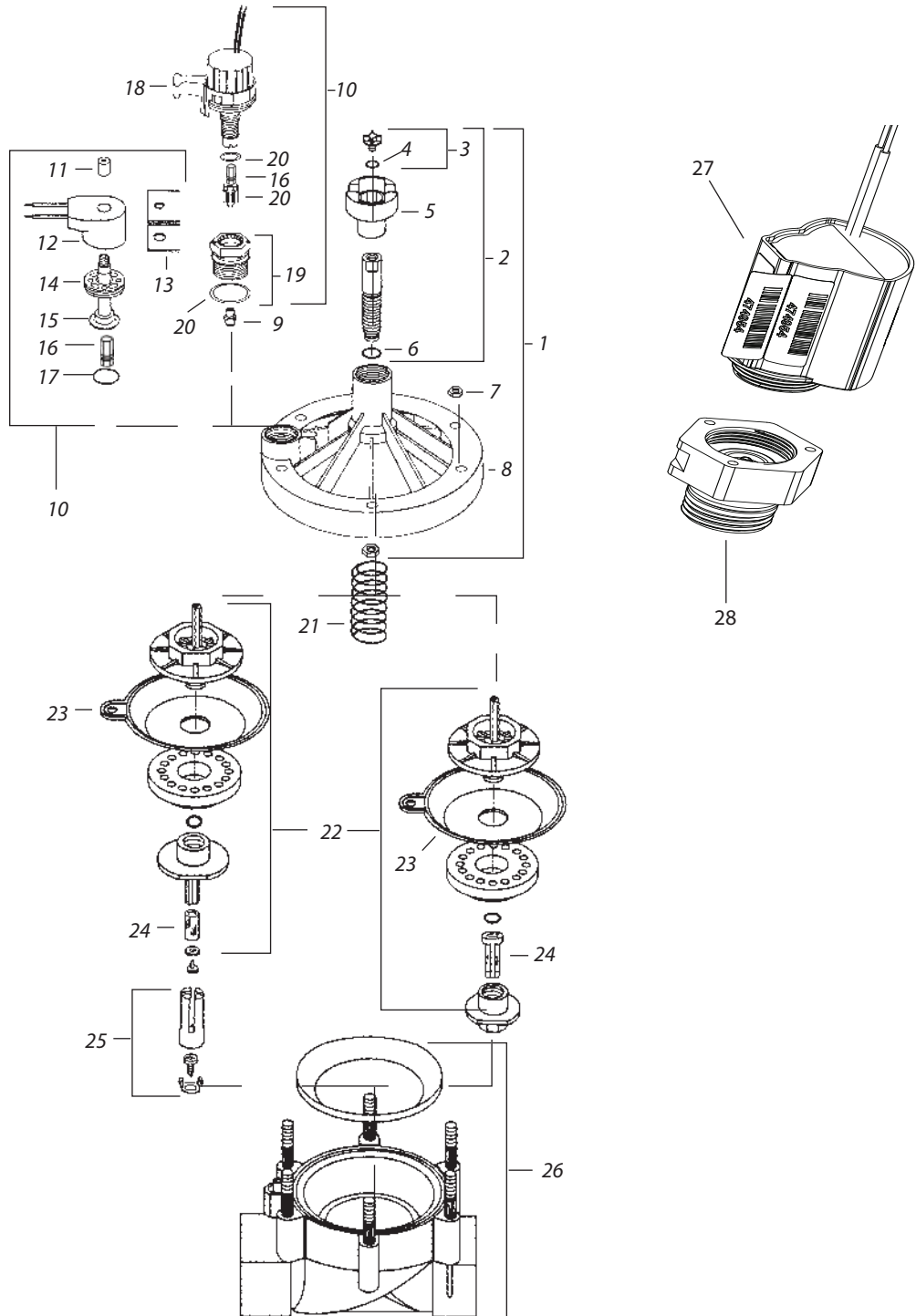
Ref. Part Description	100PE	100PES	100PEB	100PESB	100PESB-R
1 BONNET ASSEMBLY	209367-01	209367-01	209367-01	209367-01	209367-01
2 Flow control assembly	204151	204151	204151	204151	204151
3 Handle	(202876)	(202876)	(202876)	(202876)	-
3 NP Handle (sold separately)	231230	231230	231230	231230	231230
4 O-ring, stem	202879	202879	202879	202879	202879
5 Bleed screw assembly	202873	202873	202873	202873	202873
6 O-ring, bleed screw	202668	202668	202668	202668	202668
7 Bonnet and solenoid seal	209813-01	209813-01	209813-01	209813-01	209813-01
8 Solenoid seal	208629	208629	208629	208629	208629
9 Lock Nuts (4 each)	204969	204969	204969	204969	204969
10 Nut, stem	202881	202881	202881	202881	202881
11 SOLENOID ASSEMBLY	206920-01	206920-01	209532-02	209532-02	209532-02
12 Rubber retainer	627167	627167	-	-	-
13 Coil	602118	602118	-	-	-
14 U-Frame	210914	210914	-	-	-
15 Nut, base (plastic)	602606	602606	-	-	-
16 Tube, welded	630028	630028	-	-	-
17 Plunger/spring assembly	629453	629453	629417	629417	629417
18 O-ring	202882	202882	-	-	-
19 Handle, solenoid	-	-	209943	209943	209943
20 Adapter assembly	-	-	231986	231986	231986
21 O-ring kit, with retainer	-	-	210463	210463	210463
28 ICM Module	-	-	214010	214010	214010
29 ICM Adapter	-	-	214011	214011	214011
PRESSURE REGULATOR PRS-D					
- PRS-Dial	-	-	B33135	B33135	B33135
- Cartridge assembly	-	-	(B33136)	(B33136)	(B33136)
LOWER ASSEMBLY					
22 Diaphragm spring	202912	202912	202912	202912	202912
23 Diaphragm assembly	208143	208144-02	208143	208144-02	208144-03
24 Diaphragm	(208140)	(208140)	(208140)	(208140)	(232755)
25 Screen	(206092-02)	(203060-02)	(206092-02)	(203060-02)	(203060-02)
26 Scraper kit	-	206994	-	206994	(A)
27 Body assembly, NPT	207325-01	207325-01	207325-01	207325-01	207325-01
- Body assembly, BSP	207325-02	207325-02	207325-02	207325-02	207325-02
<i>(When replacing PE/PES body, you must order PEB/PESB diaphragm)</i>					

(A) Reclaimed Water Conversion Kit, use part number B37510. Kit includes:
 Reclaimed Diaphragm Assembly
 Reclaimed Filter Scraper
 Reclaimed Snap Washer
 Self Tapping Screw
 NP Handle
 Reclaimed Scrubber Label



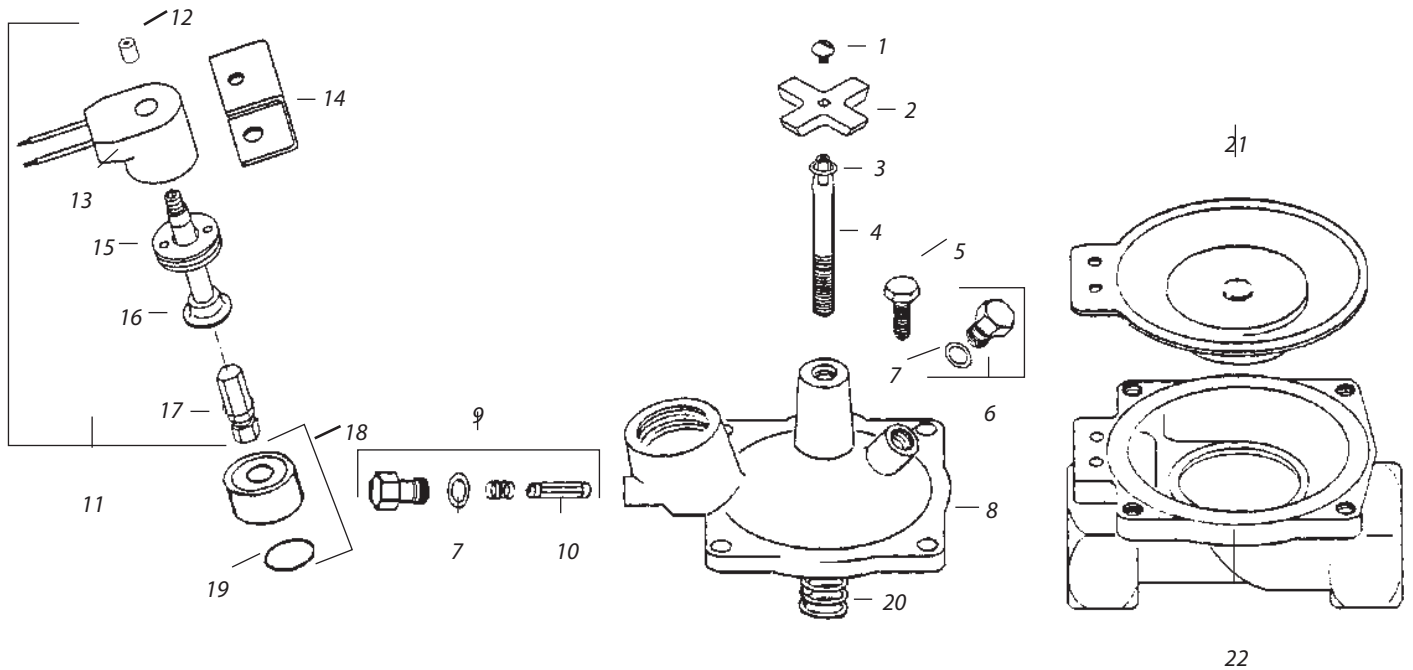
Ref.	Part Description	150PE	150PES	150PEB	150PESB	150PESB-R
1	BONNET ASSEMBLY	209367-02	209367-02	209367-02	209367-02	209367-02
2	Flow control assembly	204153	204153	204153	204153	204153
3	Bleed screw assembly	204152	204152	204152	204152	204152
4	O-ring, bleed screw	202668	202668	202668	202668	202668
5	Handle, flow control (B)	(202889)	(202889)	(202889)	(202889)	-
-	NP Handle (sold separately)	231232	231232	231232	231232	231232
6	O-ring, stem (B)	(202896)	(202896)	(202896)	(202896)	(202896)
7	Lock Nuts (6 each)	204968	204968	204968	204968	204968
8	Bonnet and solenoid seal	209813-02	209813-02	209813-02	209813-02	209813-02
9	Solenoid seal	208629	208629	208629	208629	208629
10	SOLENOID ASSEMBLY	206920-01	206920-01	209532-02	209532-02	209532-02
11	Rubber retainer	627167	627167	-	-	-
12	Coil	602118	602118	-	-	-
13	U-Frame	210914	210914	-	-	-
14	Nut, base (plastic)	602606	602606	-	-	-
15	Tube, welded	630028	630028	-	-	-
16	Plunger/spring assembly	629453	629453	629417	629417	629417
17	O-ring	202882	202882	-	-	-
18	Handle, solenoid	-	-	209943	209943	209943
19	Adapter assembly	-	-	231986	231986	231986
20	O-ring kit, with retainer	-	-	210463	210463	210463
27	ICM Module	-	-	214010	214010	214010
28	ICM Adapter	-	-	214011	214011	214011
PRESSURE REGULATOR PRS-D						
-	PRS-Dial	-	-	B33135	B33135	B33135
-	Cartridge assembly	-	-	(B33136)	(B33136)	(B33136)
LOWER ASSEMBLY						
21	Diaphragm spring	203016	203016	200211	200211	200211
22	Diaphragm assembly	234882	234866-02	234882S	234866-02	234866-04
23	Diaphragm	202898	202898	202898	202898	232756
24	Screen	206092-02	203060-01	206092-02	203060-01	203060-01
25	Scraper kit	-	206994	-	206994	(A)
26	Body assembly, NPT	(208603)	(208603)	(208603)	(208603)	(233217)
-	Body assembly, BSP	(208604)	(208604)	(208604)	(208604)	(233216)
<i>(When replacing PE/PES body, you must order PEB/PESB diaphragm)</i>						

(A) Reclaimed Water Conversion Kit, use part number B37520. Kit includes:
 Reclaimed Diaphragm Assembly
 Reclaimed Filter Scraper
 Reclaimed Snap Washer
 Self Tapping Screw
 NP Handle
 Reclaimed Scrubber Label



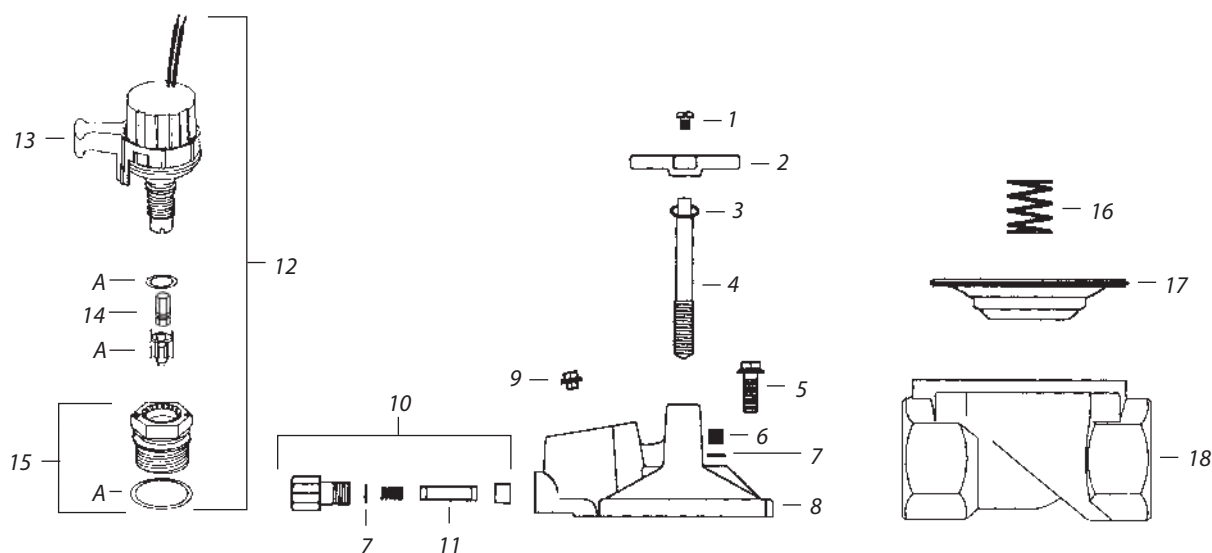
Ref.	Part Description	200PE	200PES	200PEB	200PESB	200PESB-R
1	BONNET ASSEMBLY	209367-02	209367-02	209367-02	209367-02	209367-02
2	Flow control assembly	204153	204153	204153	204153	204153
3	Bleed screw assembly	204152	204152	204152	204152	204152
4	O-ring, bleed screw	202668	202668	202668	202668	202668
5	Handle, flow control (B)	(202889)	(202889)	(202889)	(202889)	–
–	NP Handle (sold separately)	231232	231232	231232	231232	231232
6	O-ring, stem (B)	(202896)	(202896)	(202896)	(202896)	(202896)
7	Lock Nuts (6 each)	204968	204968	204968	204968	204968
8	Bonnet and solenoid seal	209813-02	209813-02	209813-02	209813-02	209813-02
9	Solenoid seal	208629	208629	208629	208629	208629
10	SOLENOID ASSEMBLY	206920-01	206920-01	209532-02	209532-02	209532-02
11	Rubber retainer	627167	627167	–	–	–
12	Coil	602118	602118	–	–	–
13	U-Frame	210914	210914	–	–	–
14	Nut, base (plastic)	602606	602606	–	–	–
15	Tube, welded	630028	630028	–	–	–
16	Plunger/spring assembly	629453	629453	–	–	–
17	O-ring	202882	202882	–	–	–
18	Handle, solenoid	–	–	209943	209943	209943
19	Adapter assembly	–	–	231986	231986	231986
20	O-ring kit, with retainer	–	–	210463	210463	210463
27	ICM Module	–	–	214010	214010	214010
28	ICM Adapter	–	–	214011	214011	214011
PRESSURE REGULATOR PRS-D						
–	PRS-Dial	–	–	B33135	B33135	B33135
–	Cartridge assembly	–	–	(B33136)	(B33136)	(B33136)
LOWER ASSEMBLY						
21	Diaphragm spring	203016	203016	200211	200211	200211
22	Diaphragm assembly	208605	208518-02	208605	208518-02	208518-03
23	Diaphragm	202898	202898	202898	202898	232756
24	Screen	206092-02	203060-01	206092-02	203060-01	203060-01
25	Scraper kit	–	206994	–	206994	(A)
26	Body assembly, NPT	(208609)	(208609)	(208609)	(208609)	(233215)
–	Body assembly, BSP	(208610)	(208610)	(208610)	(208610)	(233214)
–	(When replacing PE/PES body, you must order PEB/PESB diaphragm)					

- (A) Reclaimed Water Conversion Kit, use part number B37520. Kit includes:
 Reclaimed Diaphragm Assembly
 Reclaimed Filter Scraper
 Reclaimed Snap Washer
 Self Tapping Screw
 NP Handle
 Reclaimed Scrubber Label
- (B) Order #2 Flow Control Assembly



Ref. Part Description	75EF	100EF	125EF	150EF	200EF	75G 75EFA	100G 100EFA	125G 125EFA	150G 150EFA	200G 200EFA
BONNET ASSEMBLY										
1 Screw	202502	202502	202502	202502	202502	202502	202502	202502	202502	202502
2 Handle, flow control	209356	209356	209356	209356	209356	209356	209356	209356	209356	209356
NP Handle (sold separately)	231238	231238	231238	231238	231238	231238	231238	231238	231238	231238
3 O-ring, flow control	202515	202515	202515	202515	202515	202515	202515	202515	202515	202515
4 Stem, flow control	-	-	202667	202667	202667	202600	202600	202667	202667	202667
5 Bolts (A)	202507	202507	202507	202507	202507	202507	202507	202507	202507	202507
6 Bleed screw assembly	202669	202669	202669	202669	202669	202669	202669	202669	202669	202669
7 O-ring, bleed screw	202668	202668	202668	202668	202668	202668	202668	202668	202668	202668
8 Bonnet	-	-	-	-	-	(202558)	(202558)	-	-	-
- Bonnet, B style	209814-01	209814-01	-	209814-03	209814-04	-	-	209814-02	209814-03	209814-04
- Bonnet assembly, B style	209368-01	209368-01	-	209368-03	209368-04	-	-	209368-02	209368-03	209368-04
- Solenoid, EZ Bleed (B style)	209532-02	209532-02	-	209532-02	209532-02	-	-	209532-02	209532-02	209532-02
9 Filter assembly	202653	202653	202653	202653	202653	202653	202653	202653	202653	202653
7 O-ring, bleed screw	202668	202668	202668	202668	202668	202668	202668	202668	202668	202668
10 Filter	206092-02	206092-02	206092-02	206092-02	206092-02	206092-02	206092-02	206092-02	206092-02	206092-02
SOLENOID ASSEMBLY										
11 SOLENOID ASSEMBLY	206920-01	206920-01	206920-01	206920-01	206920-01	206920-01	206920-01	206920-01	206920-01	206920-01
12 Rubber retainer	627167	627167	627167	627167	627167	627167	627167	627167	627167	627167
13 Coil	602118	602118	602118	602118	602118	602118	602118	602118	602118	602118
14 U-Frame	210914	210914	210914	210914	210914	210914	210914	210914	210914	210914
15 Nut, base (brass)	602142	602142	602142	602142	602142	602142	602142	602142	602142	602142
16 Tube, welded	630028	630028	630028	630028	630028	630028	630028	630028	630028	630028
17 Plunger/spring assembly	629453	629453	629453	629453	629453	629453	629453	629453	629453	629453
18 Fluid resistor assembly	207399	207399	207400	207401	207401	207399	207399	207400	207401	207401
19 O-ring	203316	203316	203316	203316	203316	203316	203316	203316	203316	203316
LOWER ASSEMBLY										
20 Diaphragm spring	202528	202528	(202516)	202542	202542	202528	202528	(202516)	202542	202542
21 Diaphragm assembly	203564	203564	202511	202520	203500	202868	202868	203604	202614	202615
22 Body, NPT	-	-	-	-	-	-	202603	202564	202605	202607

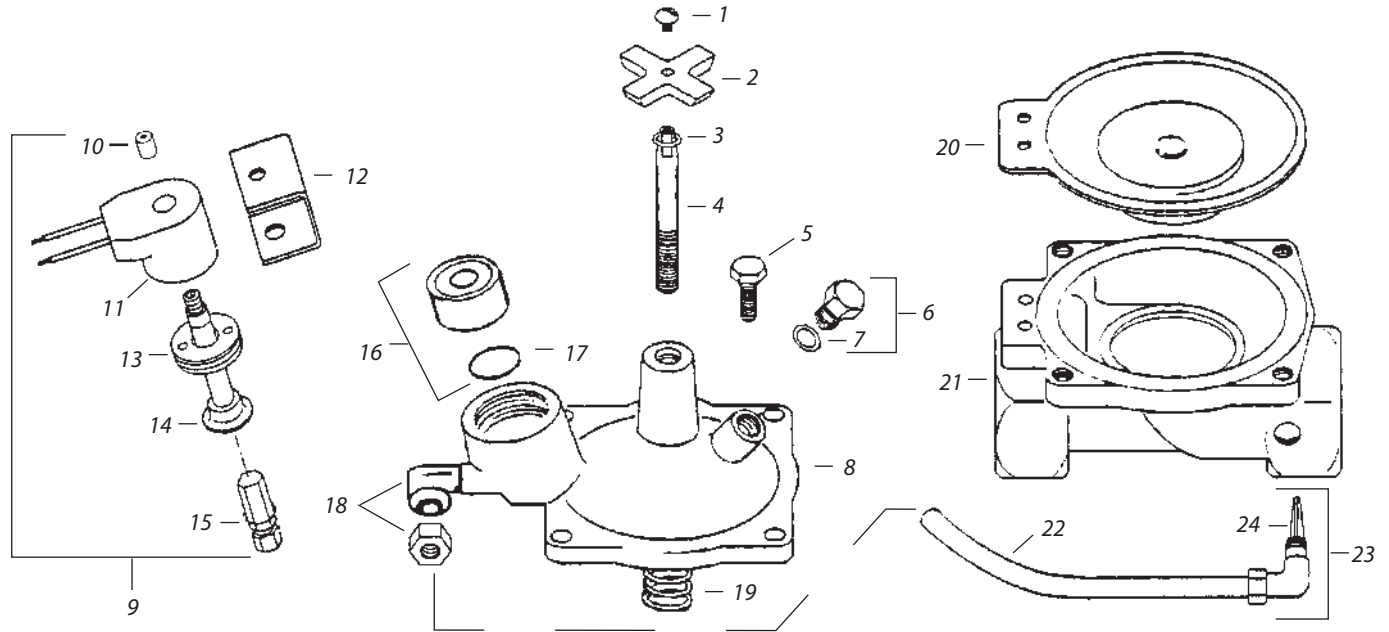
(A) 200 series requires 6 bolts, all others require 4 bolts.-



Ref.	Part Description	75GB	100GB	125GB	150GB	200GB
BONNET ASSEMBLY						
1	Screw	202502	202502	202502	202502	202502
2	Handle, flow control	209356	209356	209356	209356	209356
-	NP Handle (sold separately)	231238	231238	231238	231238	231238
3	O-ring, flow control	202515	202515	202515	202515	202515
4	Stem	202600	202600	202667	202667	202667
5	Bolts (A)	202500	202500	202507	202507	202507
6	Bleed screw	202669	202669	202669	202669	202669
7	O-ring, bleed screw	202668	202668	202668	202668	202668
8	Bonnet with solenoid seal	209814-01	209814-01	209814-02	209814-03	209814-04
9	Solenoid seal	208629	208629	208629	208629	208629
10	Fluid resistor assembly	209325-02	209325-02	209325-02	209325-01	209325-01
7	O-ring, bleed screw	202668	202668	202668	202668	202668
11	Filter	206092-02	206092-02	206092-02	206092-02	206092-02
-	Fluid resistor (B = Black, W = White)	(B) (207330-02)	(B) (207330-02)	(B) (207330-02)	(W) (207330-02)	(W) (207330-02)
12	SOLENOID ASSEMBLY	209532-02	209532-02	209532-02	209532-02	209532-02
13	Handle, solenoid	209943	209943	209943	209943	209943
14	Plunger/spring assembly	629417	629417	629417	629417	629417
15	Adapter assembly	231986	231986	231986	231986	231986
A	O-ring kit, with retainer	210463	210463	210463	210463	210463
PRESSURE REGULATOR PRS-D						
-	PRS-Dial	B33135	B33135	B33135	B33135	B33135
-	Cartridge assembly	(B33136)	(B33136)	(B33136)	(B33136)	(B33136)
LOWER ASSEMBLY						
16	Diaphragm spring	202528	202528	(202516)	202542	202542
17	Diaphragm	202868	202868	203604	202614	202615
18	Body, NPT	-	(202603)	(202564)	(202605)	(202607)

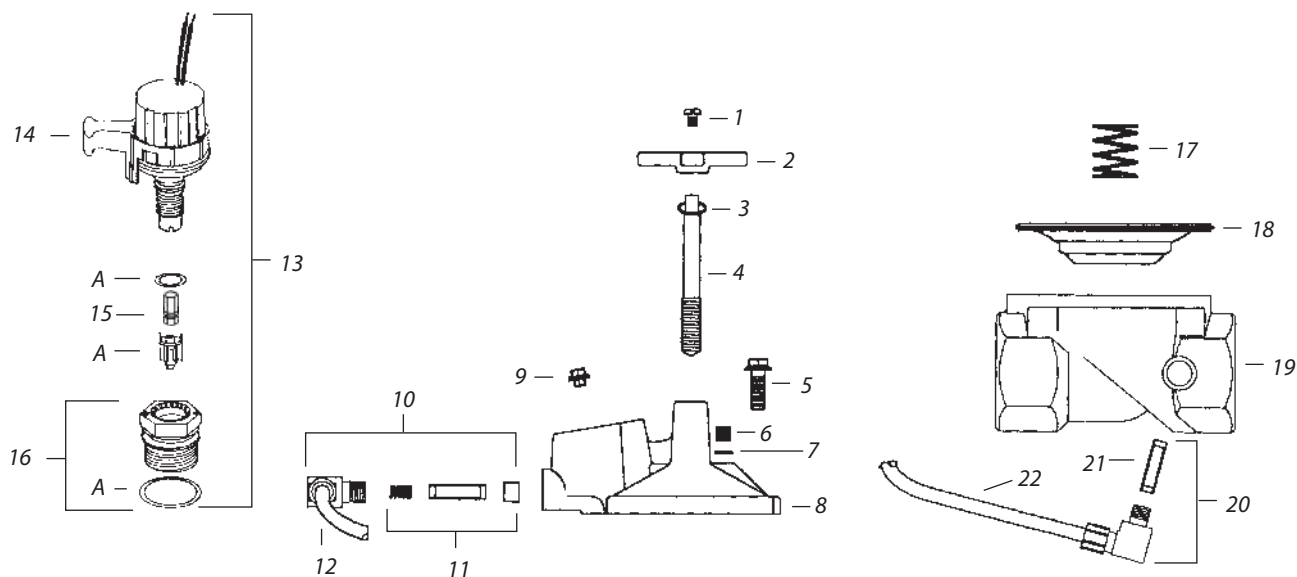
(A) 200GB requires 6 bolts, all others require 4 bolts.

125 / 150 / 200 EF-CP AND
100 / 125 / 150 / 200EFA-CP SERIES



Ref. Part Description	125EF-CP	150EF-CP	200EF-CP	100EFA-CP	125EFA-CP	150EFA-CP	200EFA-CP
BONNET ASSEMBLY							
1 Screw	202502	202502	202502	202502	202502	202502	202502
2 Handle, flow control	209356	209356	209356	209356	209356	209356	209356
- NP Handle (sold separately)	231238	231238	231238	231238	231238	231238	231238
3 O-ring, flow control	202515	202515	202515	202515	202515	202515	202515
4 Stem, flow control	202667	202667	202667	202600	202667	202667	202667
5 Bolts (A)	202507	202507	202507	202507	202507	202507	202507
6 Bleed screw assembly	202669	202669	202669	202669	202669	202669	202669
7 O-ring, bleed screw	202668	202668	202668	202668	202668	202668	202668
8 Bonnet	-	-	-	(202558)	-	-	-
- Bonnet, B style	-	209814-03	209814-04	-	209814-02	209814-03	209814-04
- Bonnet assembly, B style	-	209369-03	209369-04	209369-01	209369-02	209369-03	209369-04
- Solenoid, EZ Bleed (B style)	-	209532-02	209532-02	-	209532-02	209532-02	209532-02
SOLENOID ASSEMBLY							
9 SOLENOID ASSEMBLY	206920-01	206920-01	206920-01	206920-01	206920-01	206920-01	206920-01
10 Rubber retainer	627167	627167	627167	627167	627167	627167	627167
11 Coil	602118	602118	602118	602118	602118	602118	602118
12 U-Frame	210914	210914	210914	210914	210914	210914	210914
13 Nut, base (brass)	602142	602142	602142	602142	602142	602142	602142
- Nut, base (plastic)	-	-	-	602606	602606	602606	602606
14 Tube, welded	630028	630028	630028	630028	630028	630028	630028
15 Plunger/spring assembly	629453	629453	629453	629453	629453	629453	629453
16 Fluid resistor assembly	207400	207401	207401	207399	207400	207401	207401
17 O-ring	203316	203316	203316	203316	203316	203316	203316
LOWER ASSEMBLY							
18 Elbow	202581	202581	202581	202581	202581	202581	202581
19 Diaphragm spring	(202516)	202542	202542	202528	(202516)	202542	202542
20 Diaphragm	202511	202520	203500	202868	203604	202614	202615
21 Body, NPT	-	-	-	(205854)	202565	202606	202609
22 Nylon tube	202598	202598	202598	202598	202598	202598	202598
23 Filter assembly	202579	202579	202579	202579	202579	202579	202579
24 Filter	206092-02	206092-02	206092-02	206092-02	206092-02	206092-02	206092-02

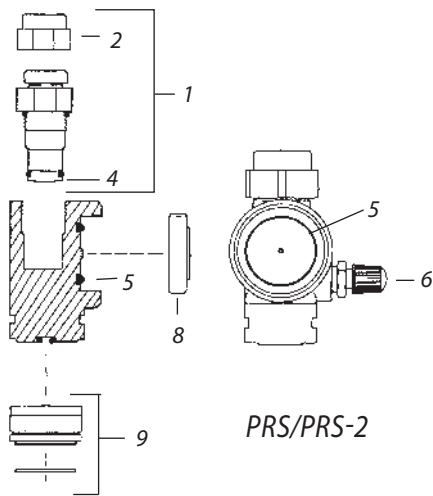
(A) 200 series requires 6 bolts, all others require 4 bolts.-



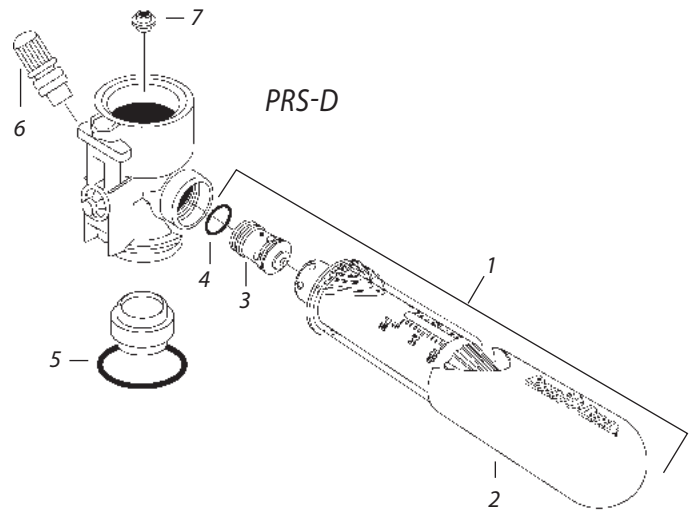
Ref. Part Description	100EFB-CP	125EFB-CP	150EFB-CP	200EFB-CP
BONNET ASSEMBLY				
1 Screw	202502	202502	202502	202502
2 Handle, flow control NP Handle (sold separately)	209356 231238	209356 231238	209356 231238	209356 231238
3 O-ring, flow control	202515	202515	202515	202515
4 Stem	202600	202667	202667	202667
5 Bolts (A)	202507	202507	202507	202507
6 Bleed screw	202669	202669	202669	202669
7 O-ring, bleed screw	202668	202668	202668	202668
8 Bonnet with solenoid seal	209814-01	209814-02	209814-03	209814-04
9 Solenoid seal	208629	208629	208629	208629
10 Fluid resistor assembly	208555-02	208555-02	208555-01	208555-01
11 Fluid resistor kit	209815	209815	209815	209815
12 Elbow	208549	208549	208549	208549
SOLENOID ASSEMBLY				
13 SOLENOID ASSEMBLY	209532-02	209532-02	209532-02	209532-02
14 Handle, solenoid	209943	209943	209943	209943
15 Plunger/spring assembly	629417	629417	629417	629417
16 Adapter assembly	231986	231986	231986	231986
A O-ring kit, with retainer	210463	210463	210463	210463
PRESSURE REGULATOR PRS-D				
- PRS-Dial	B33135	B33135	B33135	B33135
- Cartridge assembly	(B33136)	(B33136)	(B33136)	(B33136)
LOWER ASSEMBLY				
17 Diaphragm spring	202528	(202516)	202542	202542
18 Diaphragm	202868	203604	202614	202615
19 Body, NPT	(205845)	202565	202606	202609
20 Filter Assembly	208554	208554	208554	208554
21 Filter	206092-02	206092-02	206092-02	206092-02
22 Nylon Tube	202598	202598	202598	202598

(A) 200EFB-CP requires 6 bolts, all others require 4 bolts.

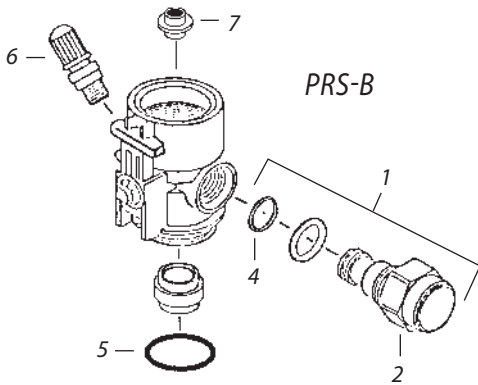
PRS, PRS-2, PRS-B, PRS-D



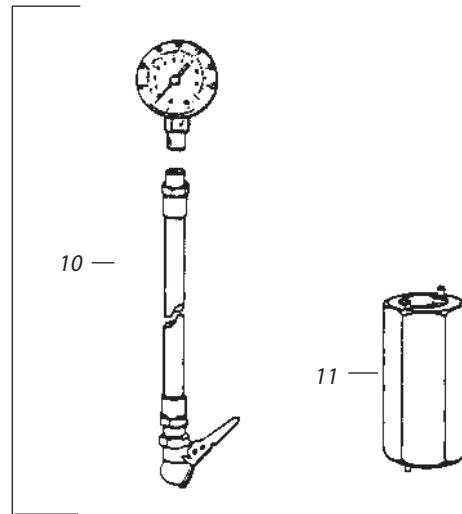
PRS/PRS-2



PRS-D



PRS-B

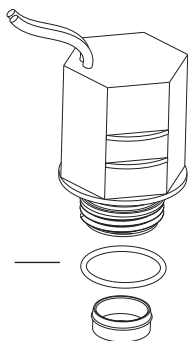


Ref.	Part Description	PRS	PRS-2	PRS-B	PRS-D
CARTRIDGE					
1	Cartridge assembly	(208206)	(208206)	(208206)	B33136
2	Cap	(208265)	-	-	231678
3	Seat assembly	-	-	-	231742
4	O-ring, seat	203026	203026	203026	203026
HOUSING					
5	O-ring, housing	202882	202882	209502	209502
6	Schrader valve	203030	203030	203030	203030
7	Solenoid seal	-	-	208629	208629
8	Nut, plastic	602606	-	-	-
9	Fluid resistor (1")	207399	-	-	-
-	Fluid resistor (1 1/4")	207400	-	-	-
-	Fluid resistor (1 1/2" and 2")	207401	-	-	-
TOOLS					
10	Pressure hose gauge (PHG)	B33004	B33004	B33004	B33004
11	Solenoid wrench	B33003	B33003	-	-

Note: Part numbers enclosed in brackets () are not available individually, but may be sold in assemblies or kits.

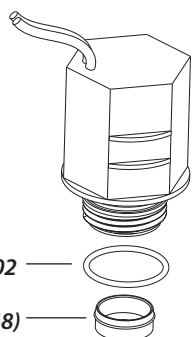
DV SOLENOID - 208588-01

209502
&
235532



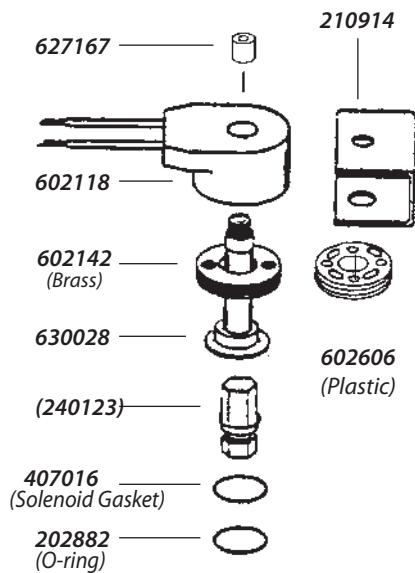
**CP / CPF / JTV / APAS / DAS / ASVF
B60599**

209502
(170368)



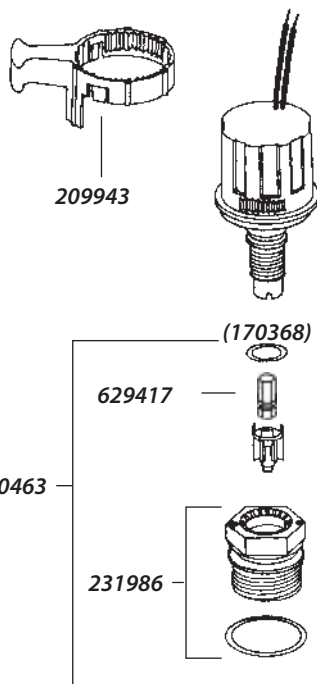
UNIVERSAL KIT - 206920-01

Used on
E / EA / EF / EFA / G / PE / EP Valves
DR Rotors



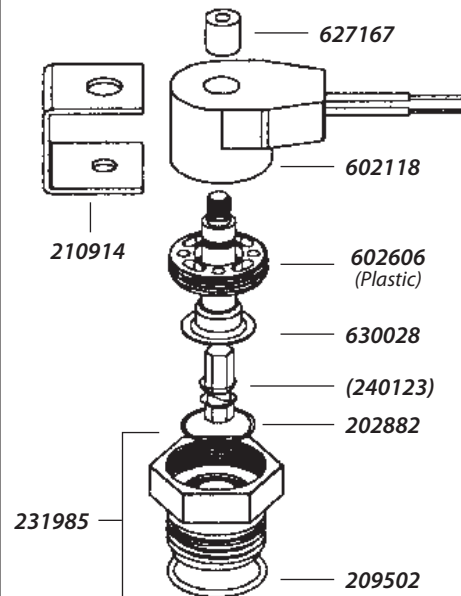
E-Z BLEED KIT - 209532-02

Used on
PGA / PEB / PESB / GB / EFB-CP Valves



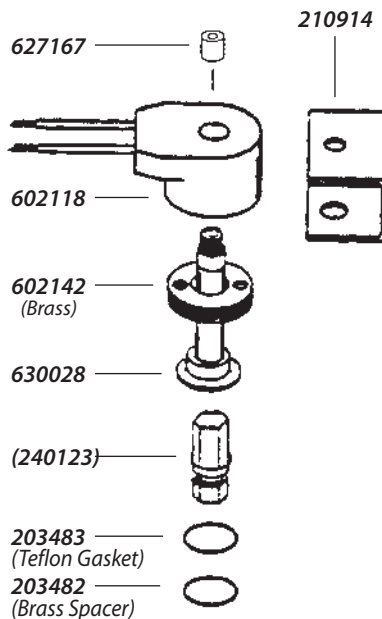
B TO A SOLENOID ADAPTER - B31800

Used on
PGA / PEB / PESB / GB /
EFB-CP / BPE / BPES Valves

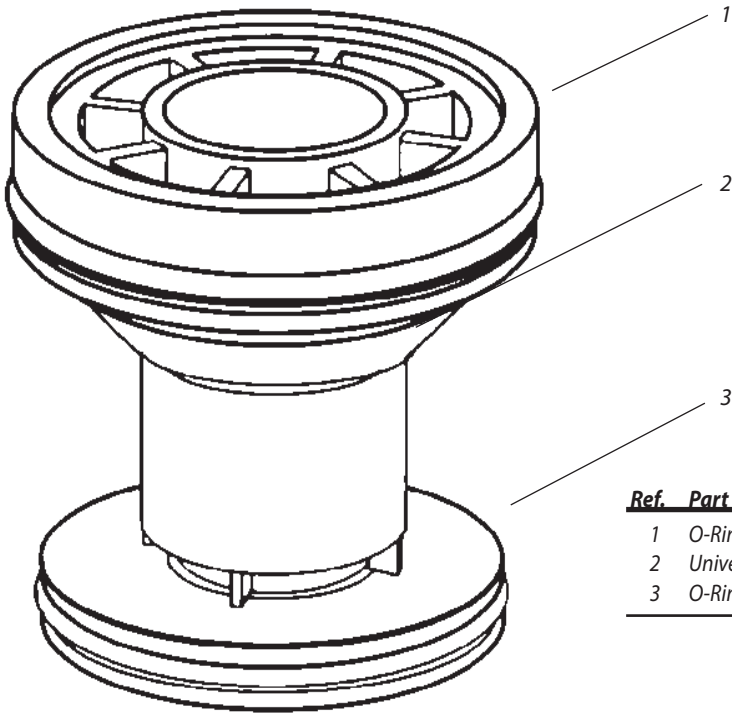


**K-7 CONVERSION KIT - 203671
(ITT SOLENOID REPLACEMENT)**

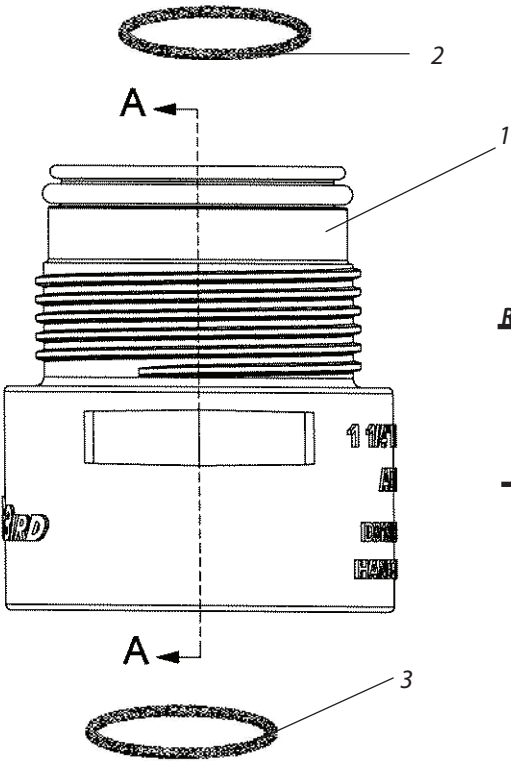
Used on
61000 Series Valves
EAV / EGV / ETV Valves



ADAPTERS



Ref.	Part Description	Qty.	Part No.
1	O-Ring, 900 Bearing Guide	1	212383
2	Universal Hose Adapter	1	-
3	O-Ring, 700 Bearing Guide	1	211242



Ref.	Part Description	Qty.	1.00	1.25	1.50
1	NPT Female - ACME Male Adapter	1	-	-	-
1	BSP Female - ACME Male Adapter	1	-	-	-
2	Outlet O-Ring	1	211872-01	211872-04	211872-07
3	Inlet O-Ring	1	211872-01	211872-03	211872-05

